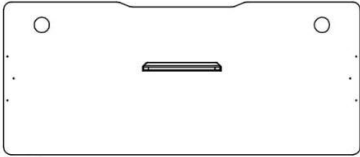

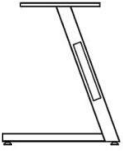
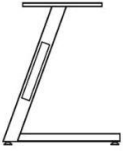
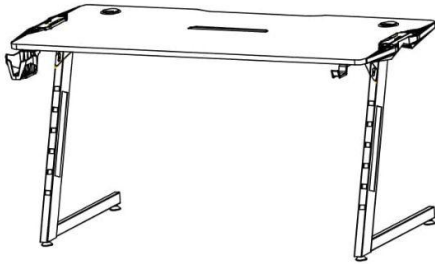















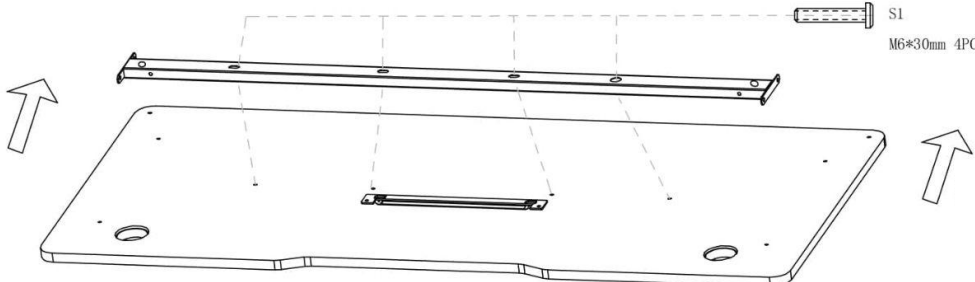




# INSTRUKCJA SKŁADANIA

|   |   |   |   |   |   |   |   |  |
|---|---|---|---|---|---|---|---|--|
| <br>1PC      |   | <br>1PC     |   |   |   |   |   |  |
| <br>L<br>1PC | <br>R<br>1PC |            |   |   |   |   |   |  |
| <br>L<br>1PC | <br>R<br>1PC |   |   |   |   |   |   |  |
| <br>1PC    | <br>1PC    |   |   |   |   |   |   |  |
| <br>1PC    |   |   |   |   |   |   |   | <br>1PC               |
| <br>1PC    | <br>1PC    | <br>M3 1PC | <br>M4 1PC | <br>M5 1PC | <br>S4<br>M4*10mm 6PCS | <br>S3<br>M6*12mm 8PCS | <br>S2<br>M6*16mm 2PCS | <br>S1<br>M6*30mm 8 |
| <br>1     |   |   |   |   |   |   |   |  |

