

AIR

AIR_01

0P-83

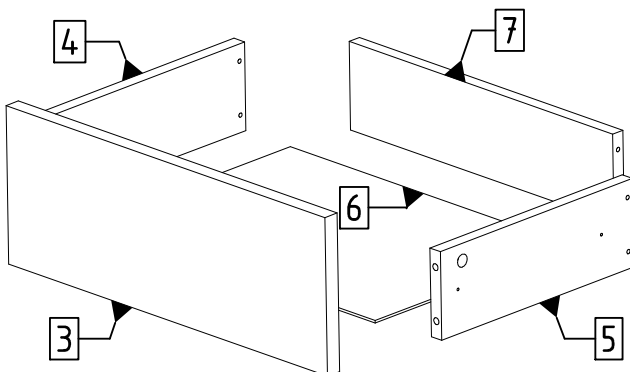
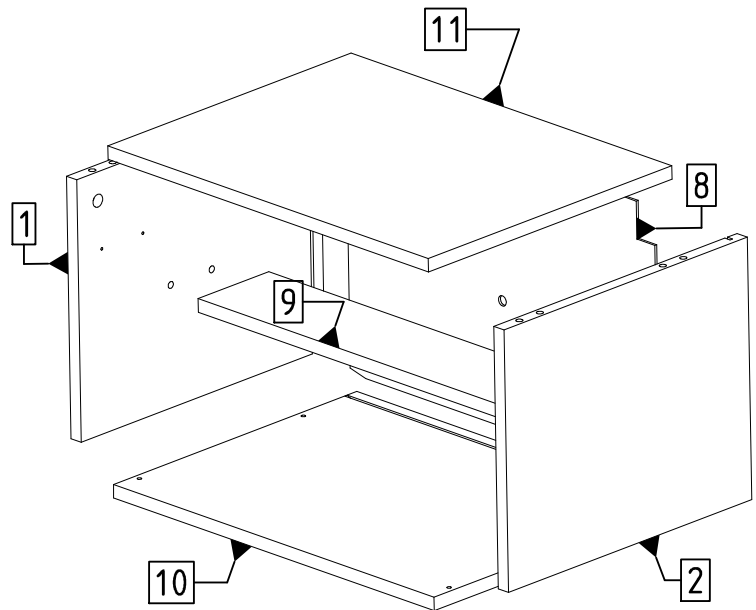
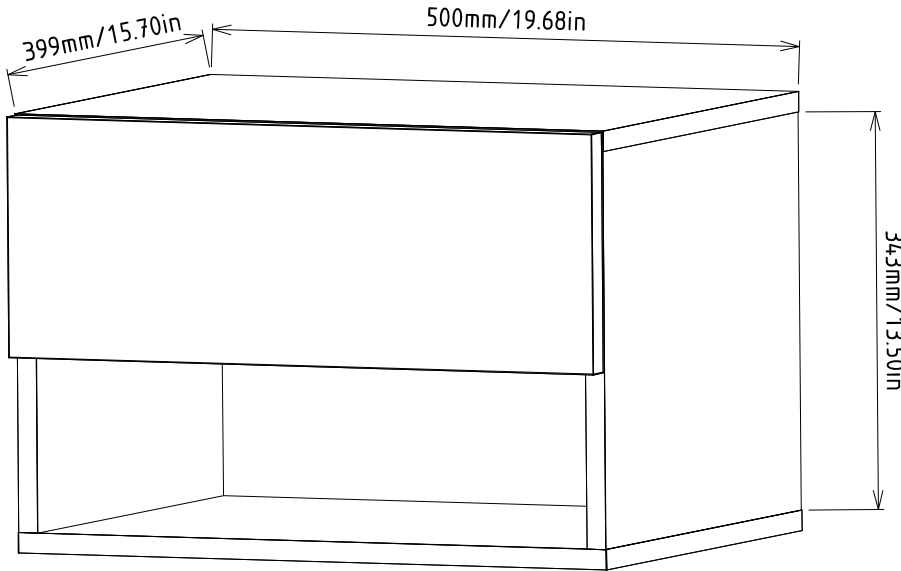
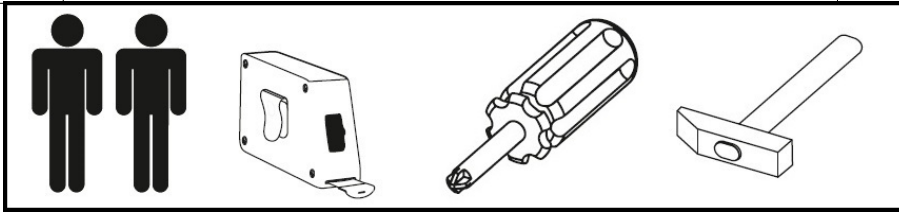
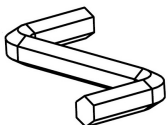
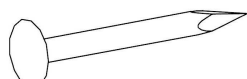

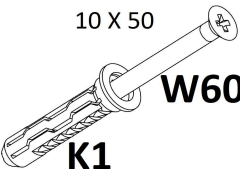
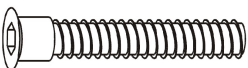

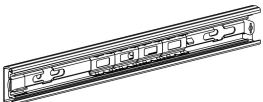
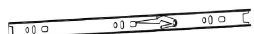
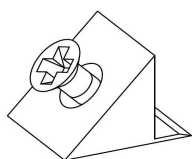
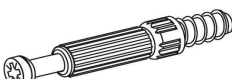
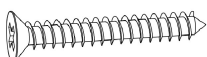
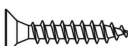
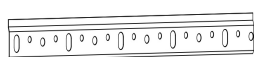
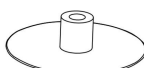
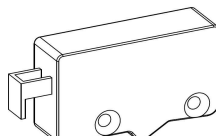
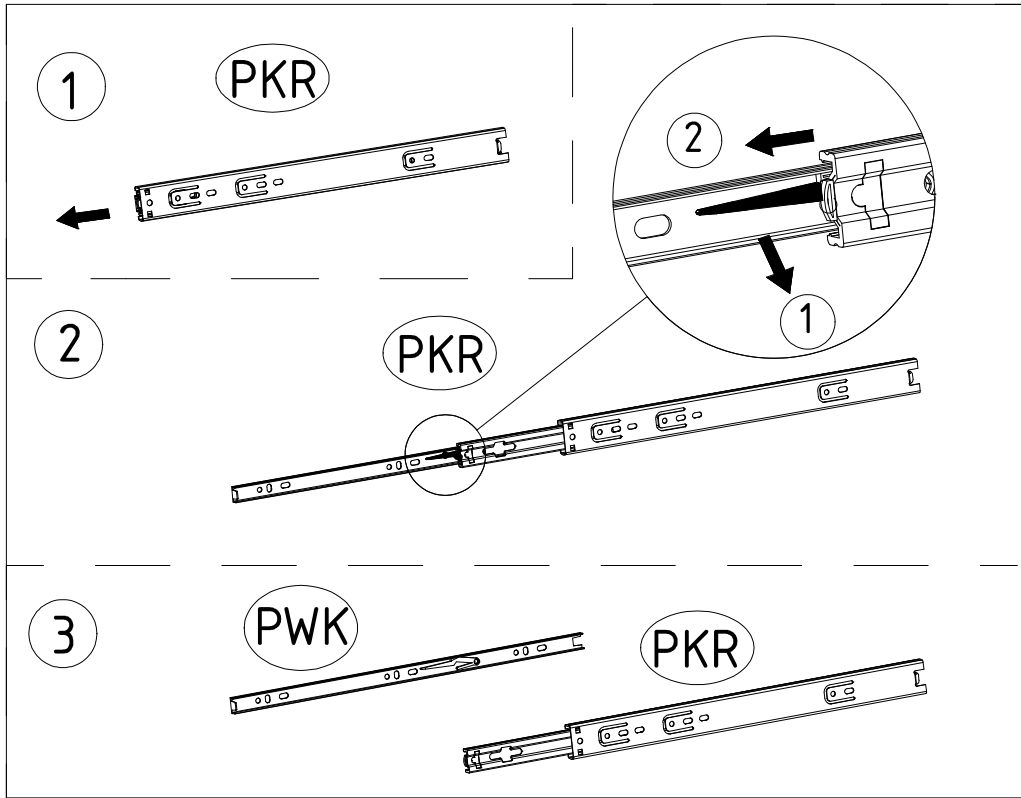
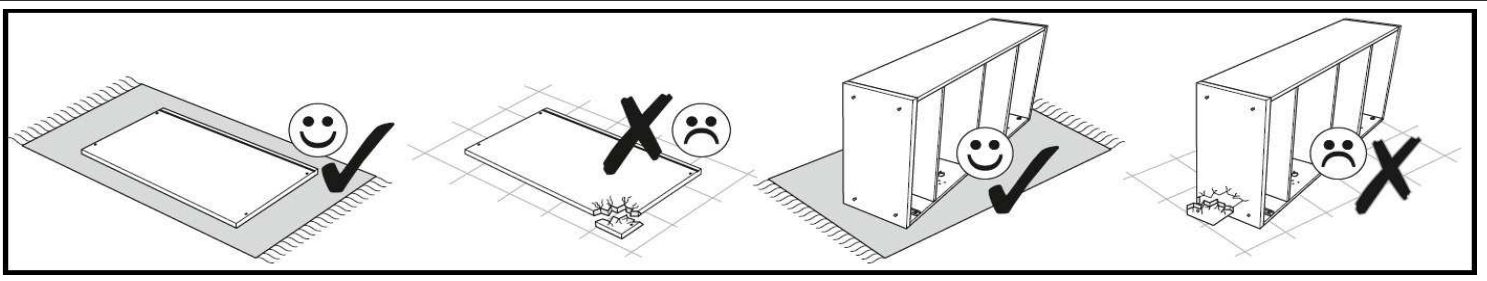


Table accessories

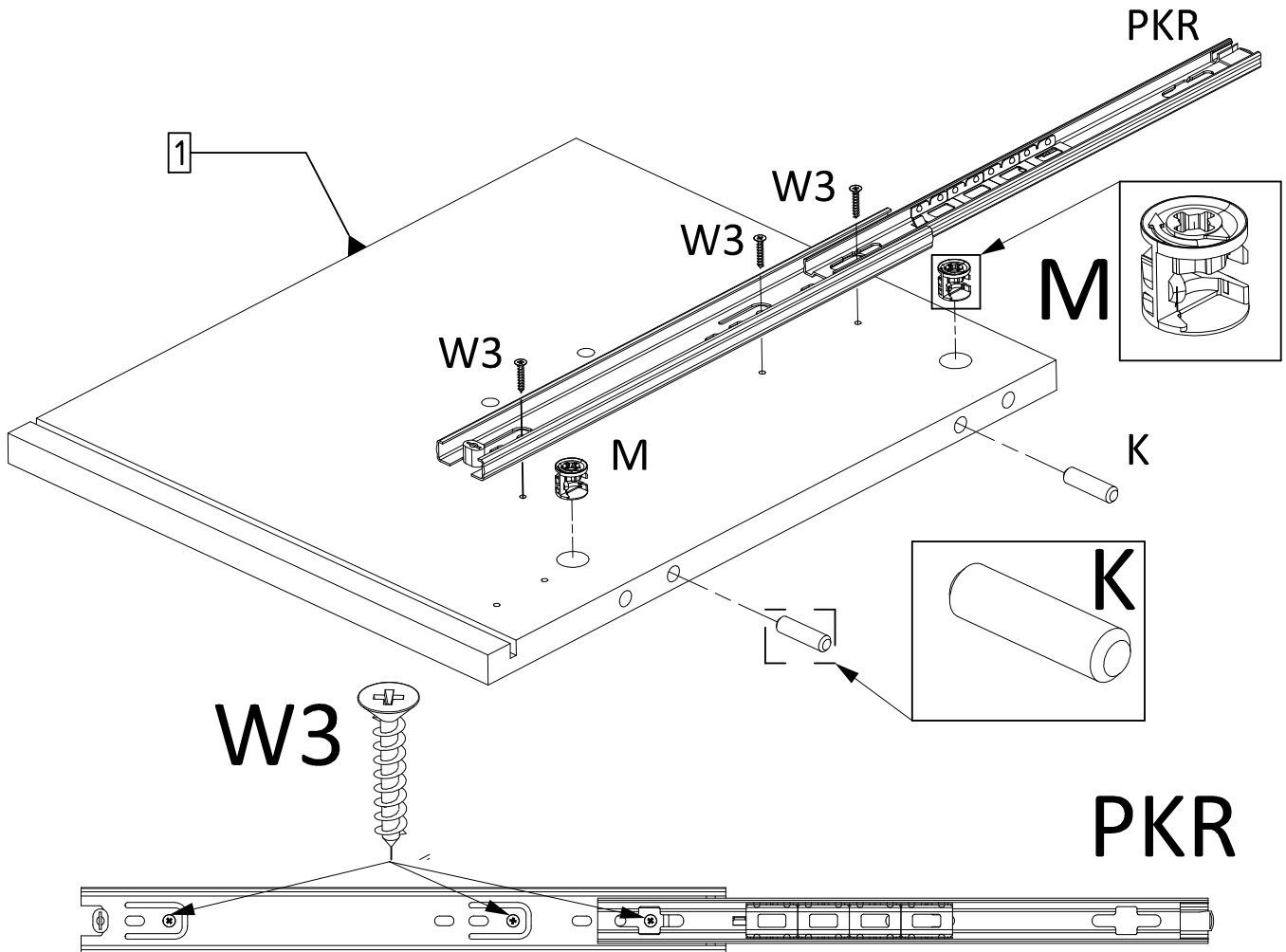
AIR01

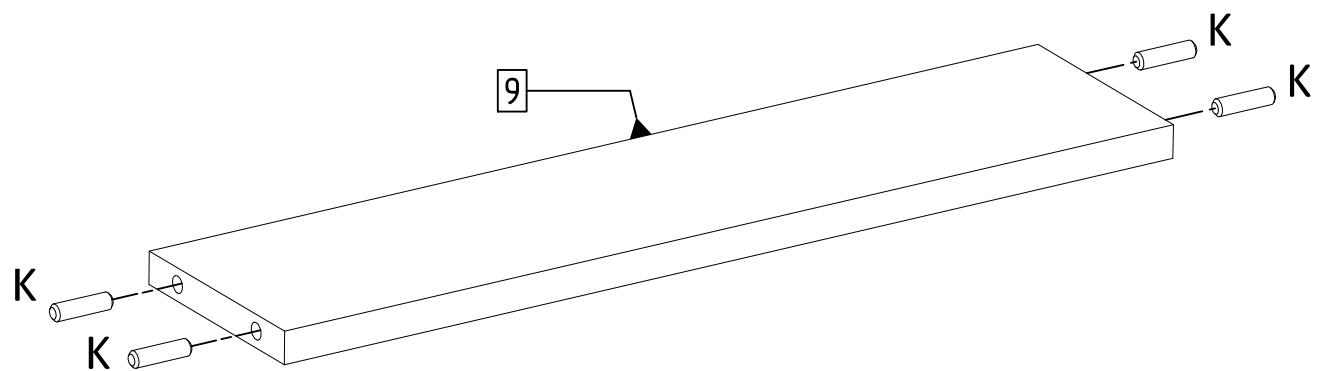
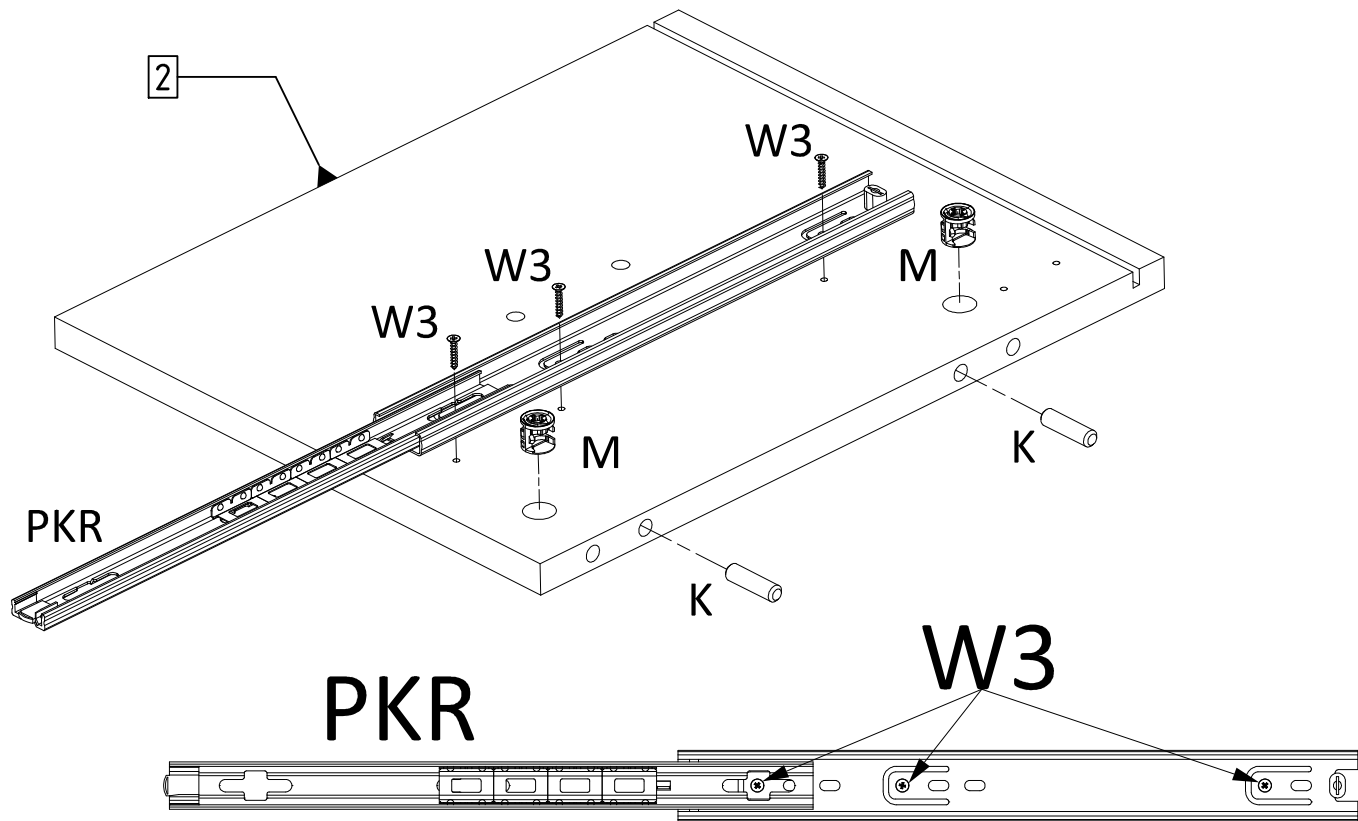
 A1	 G	8 x 30  K	10 X 50  K1	6,3 X 50  KN
15 x 12  M	L300  PKR	L300  PWK	 ST	6 x 34 mm  T
4 x 30 mm  W29	3 x 16mm  W3	L463  WM	 Z	 ZR

Elements				Accessories	
SYMBOL	LENGTH	WIDTH	QUANTITY	SYMBOL	QUANTITY
BL[1]	311	380	1	A1	1
BP[2]	311	380	1	G	13
FTS[3]	497	188	1	K	10
KBL[4]	300	105	1	K1	2
KBP[5]	300	105	1	KN	8
KD[6]	439	307	1	M	6
KT[7]	411	105	1	PKR_L300	2
PC[8]	325	481	1	PWK_L300	2
PT[9]	467	110	1	ST	2
WD[10]	500	380	1	T	6
WG[11]	500	380	1	W29	4
				W3	10
				W60	2
				WM_L463	1
				Z	6
				ZR	2

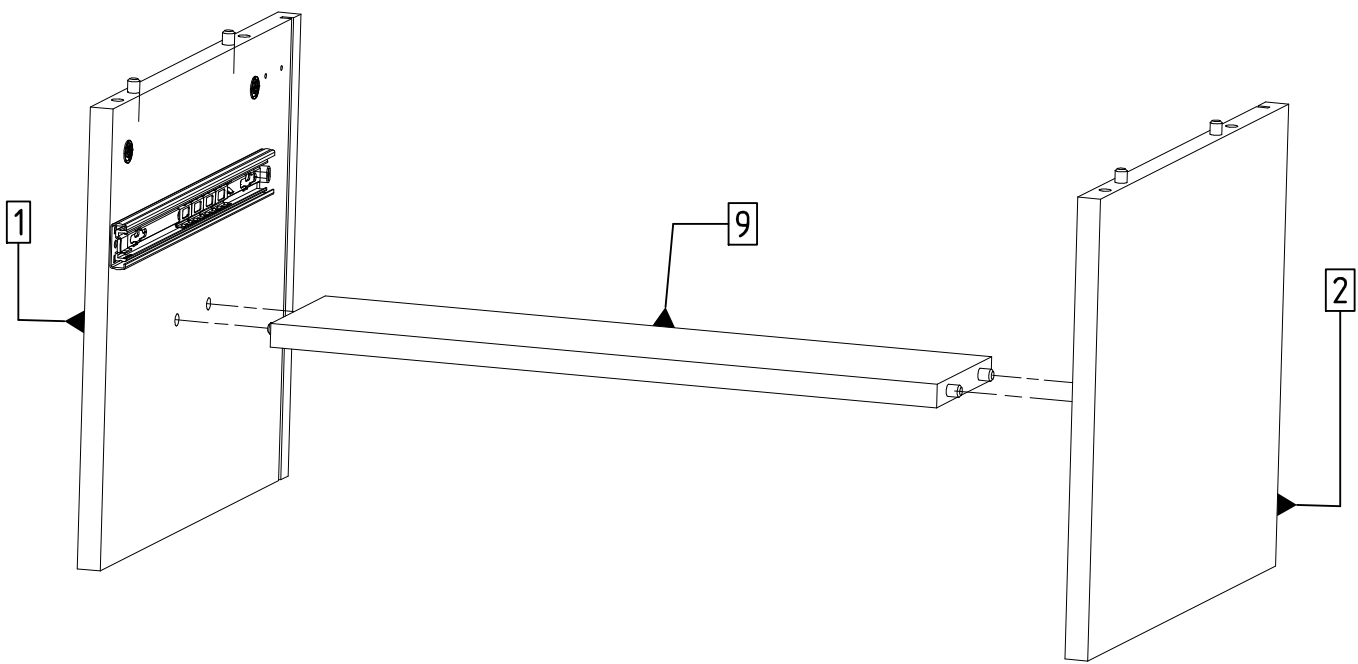


1.

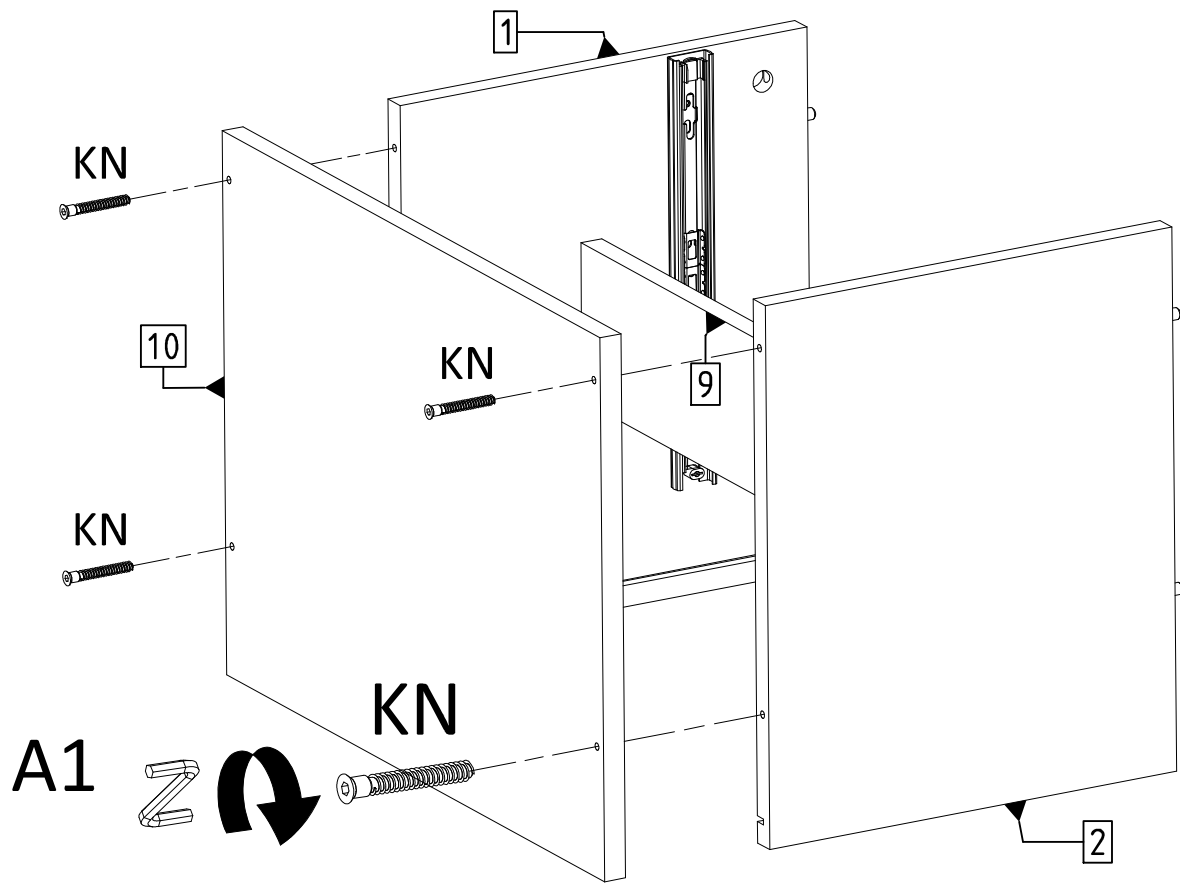




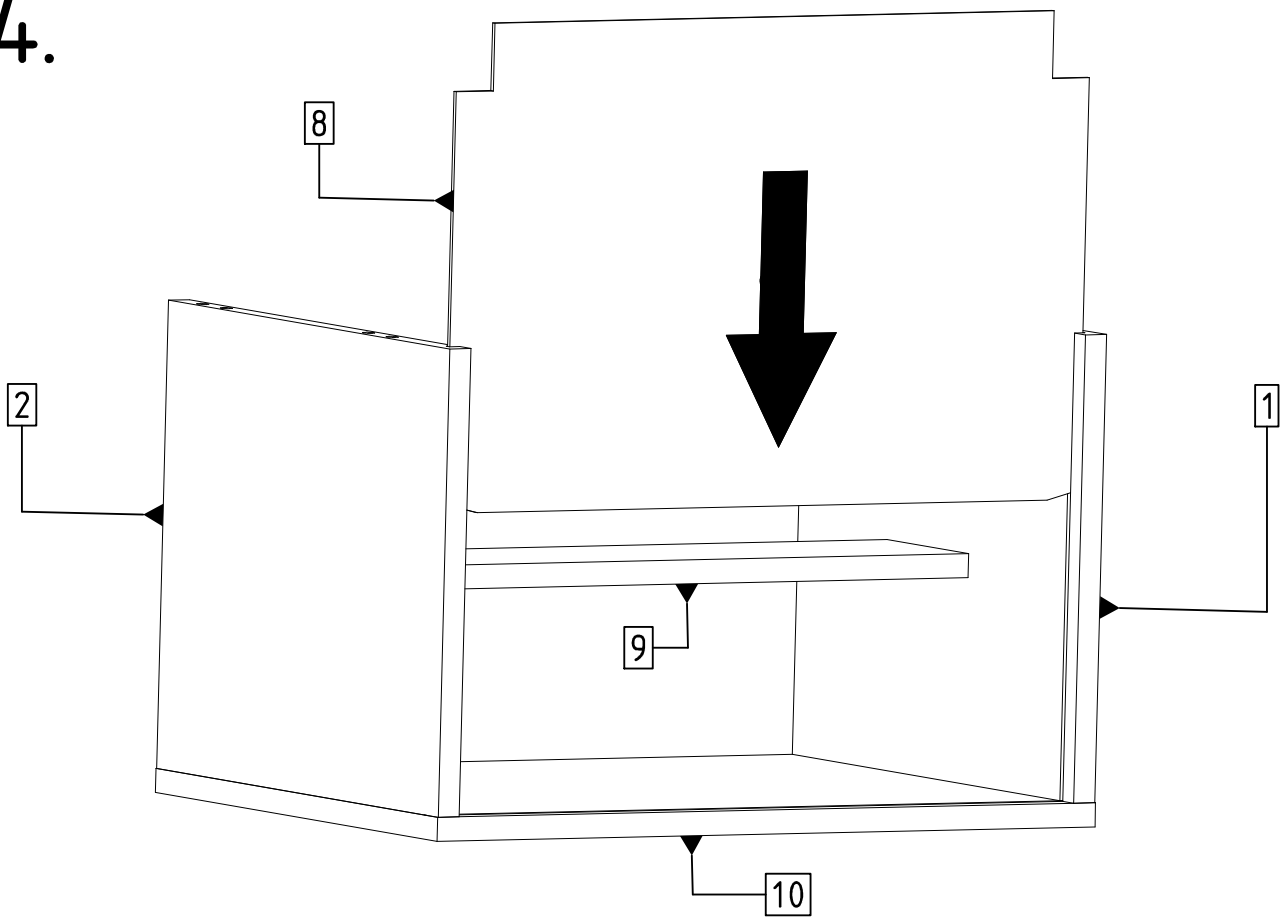
2.

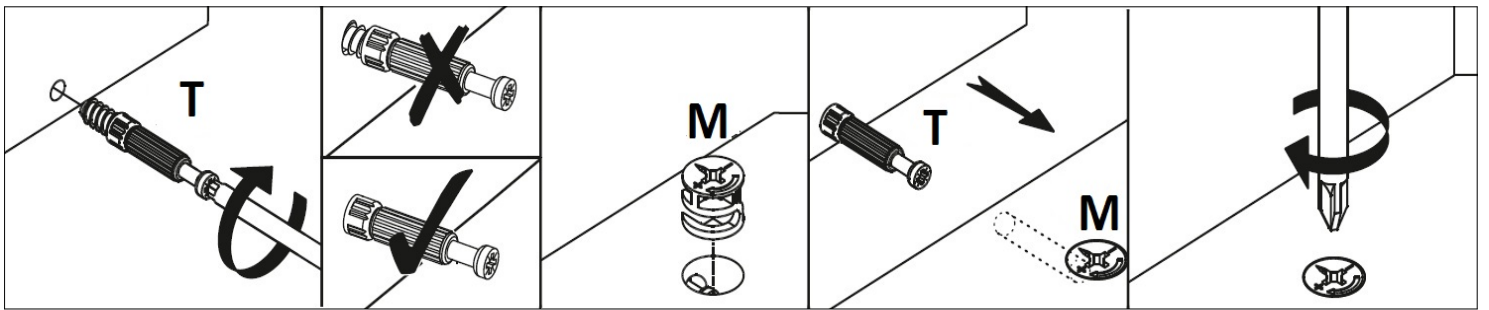


3.

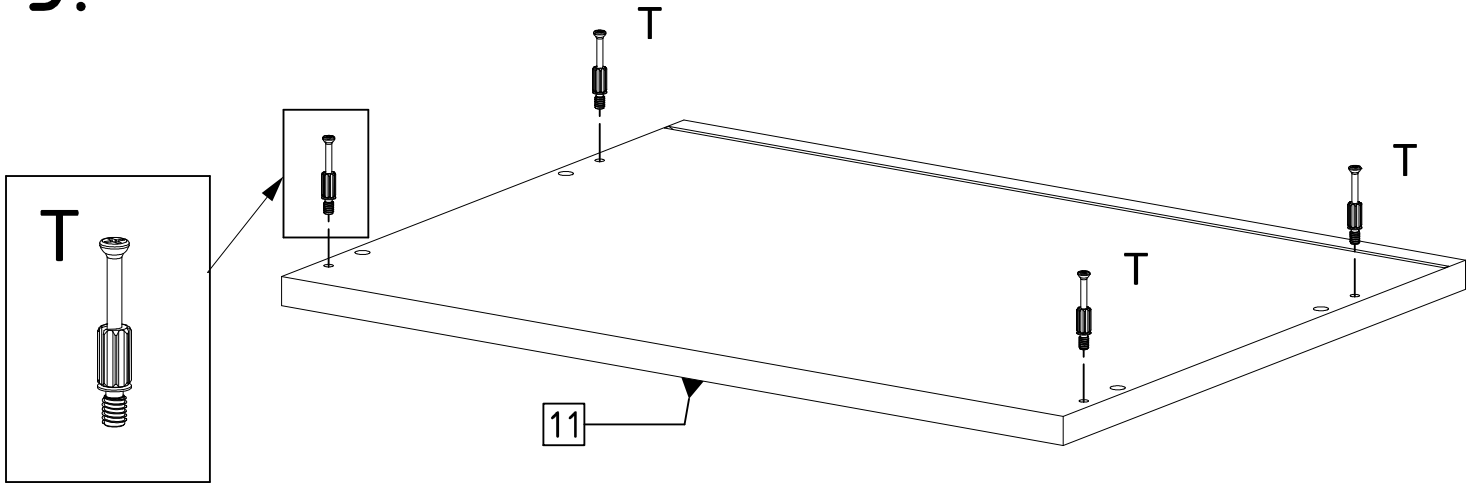


4.

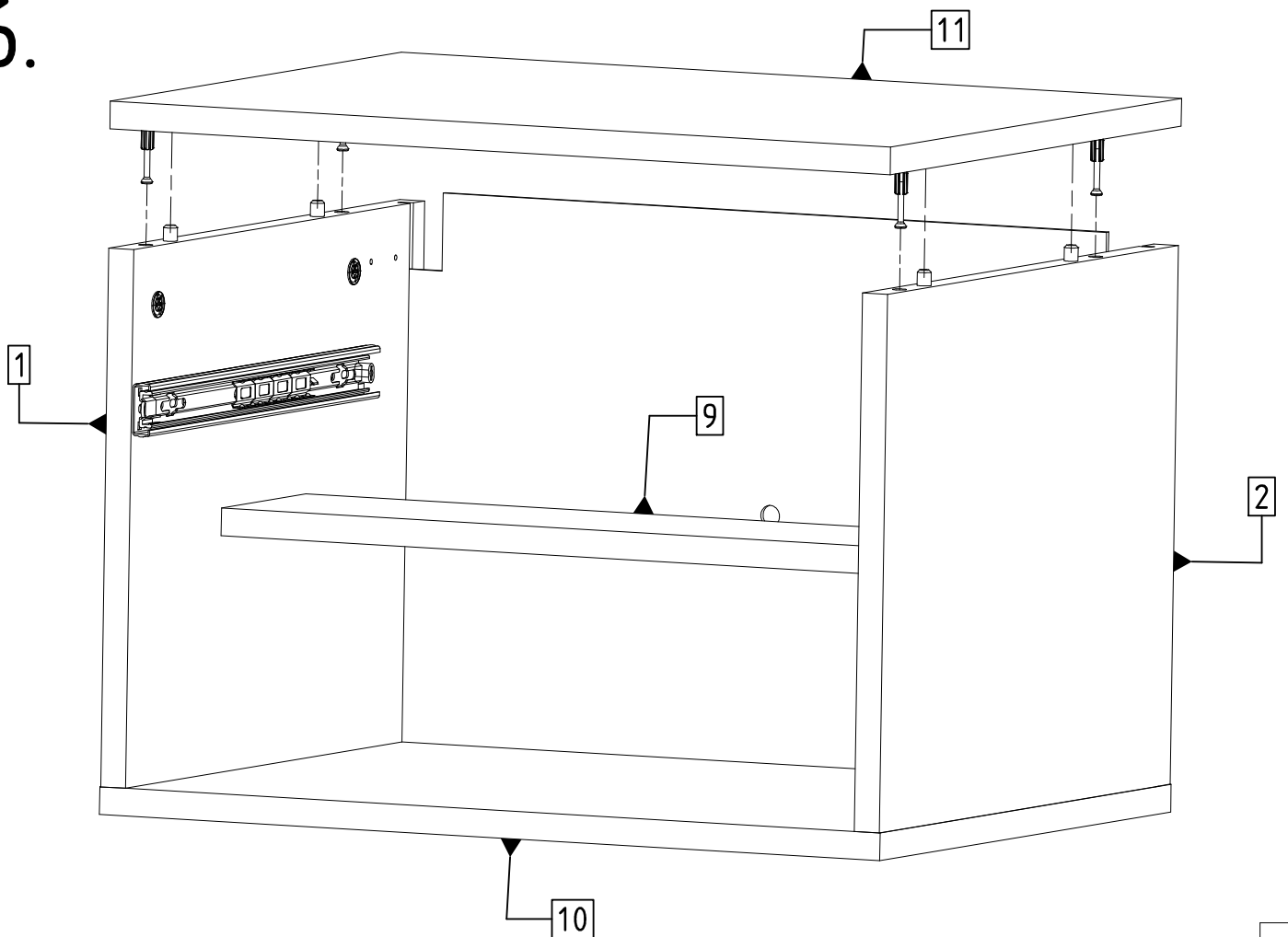




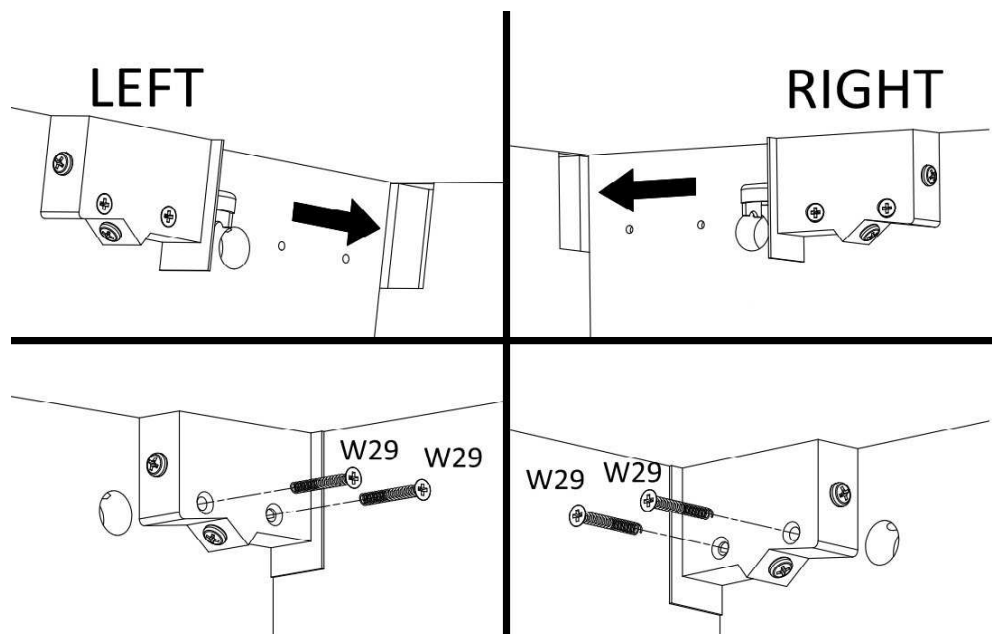
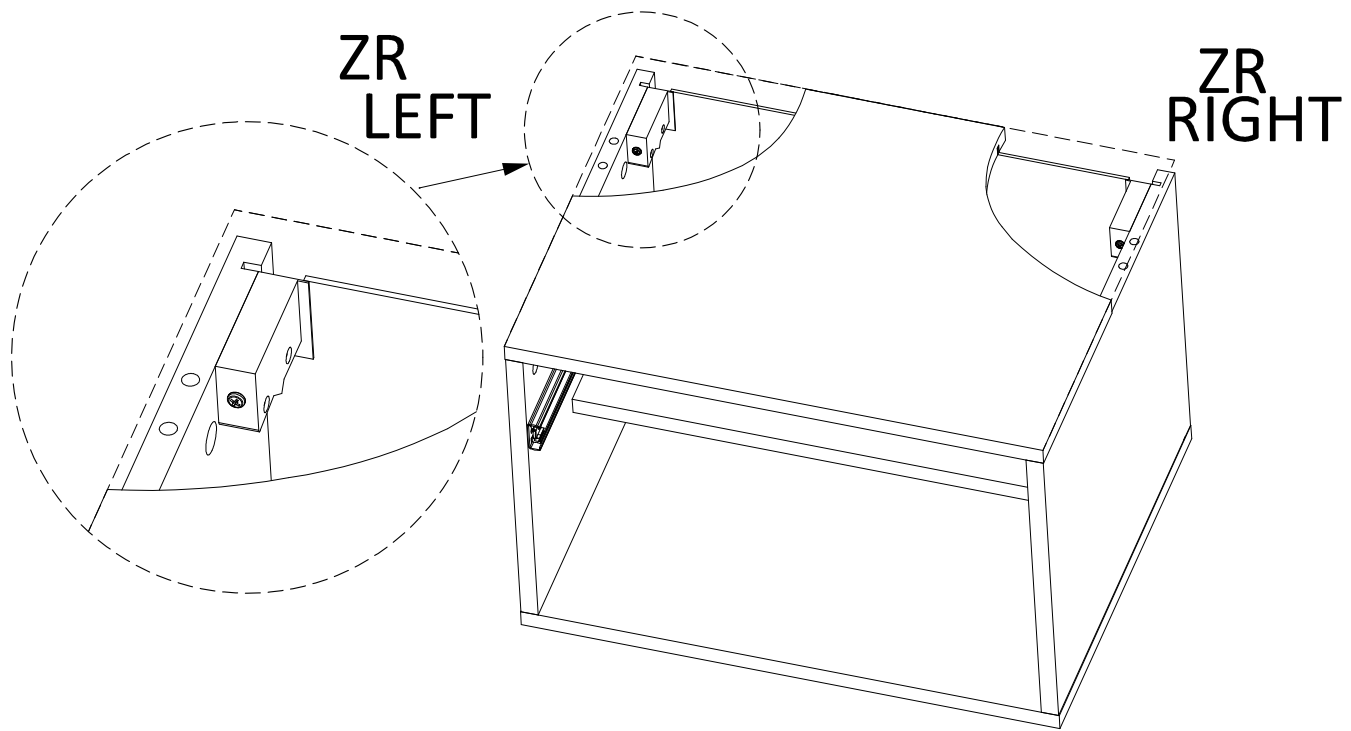
5.



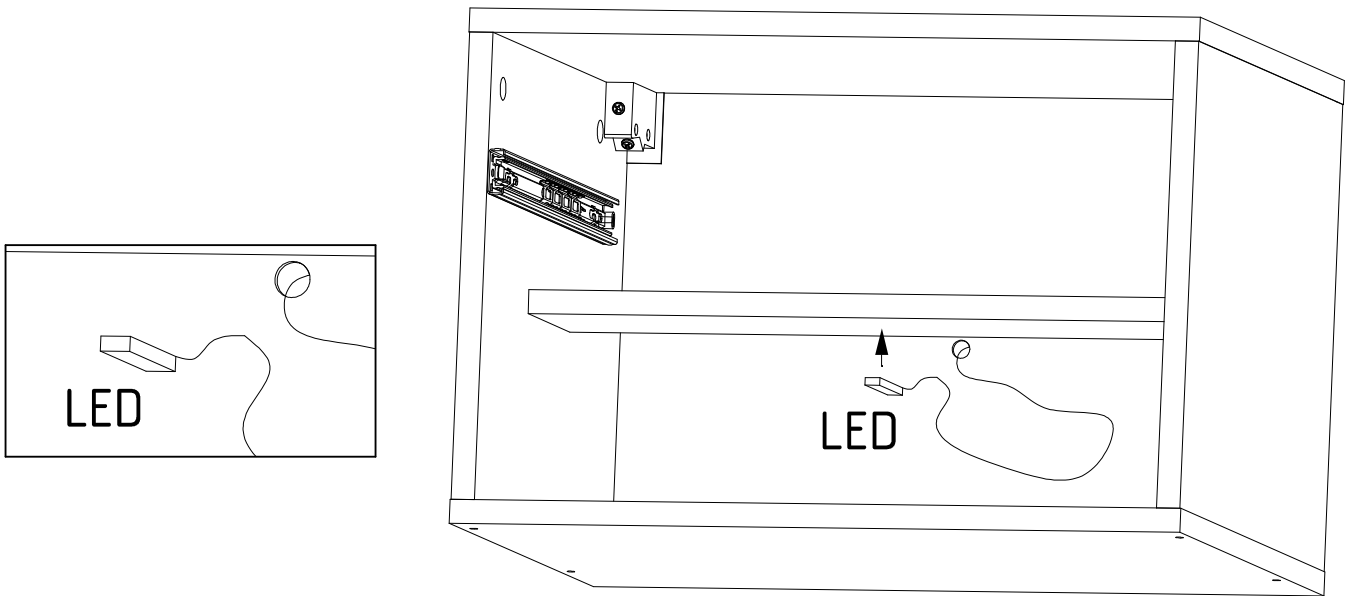
6.



7.

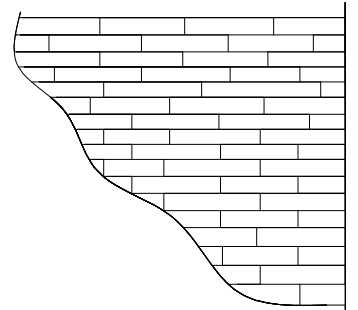
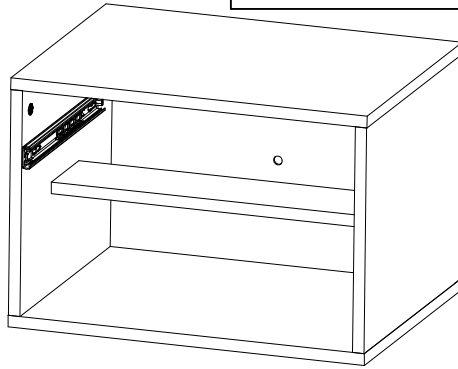
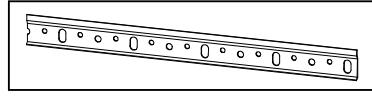


8.

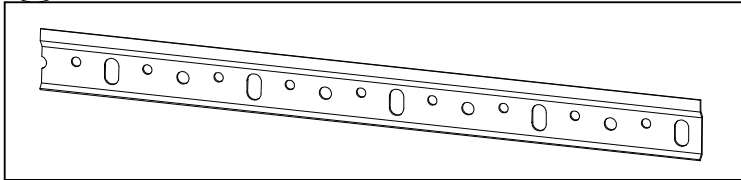


9.

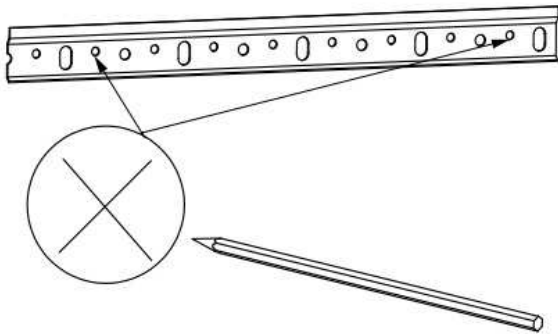
i



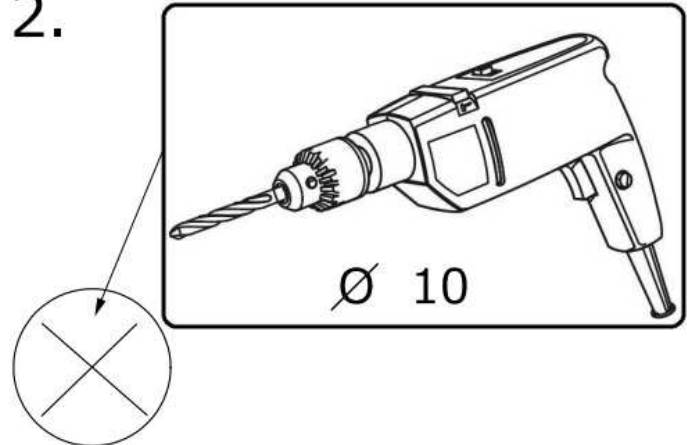
i



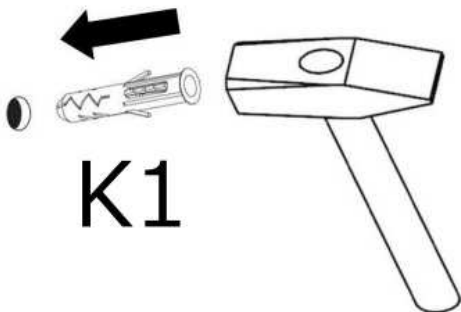
1.



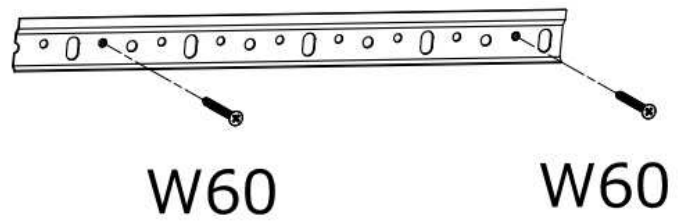
2.



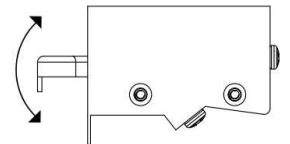
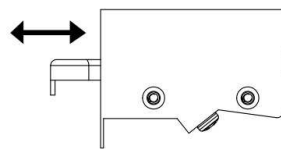
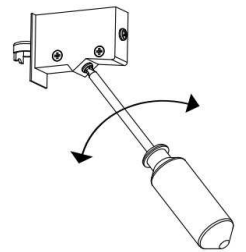
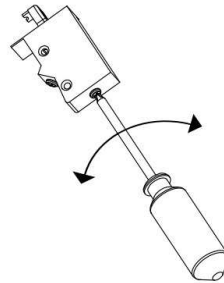
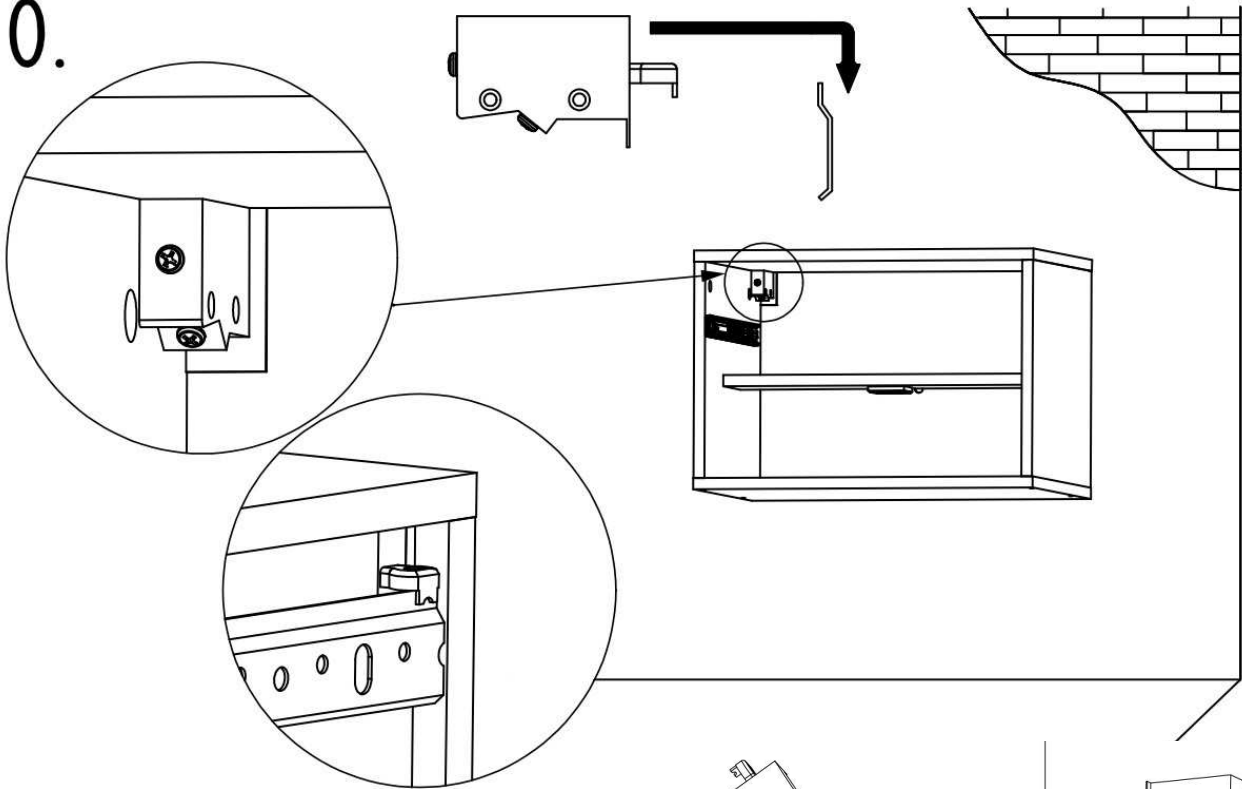
3.



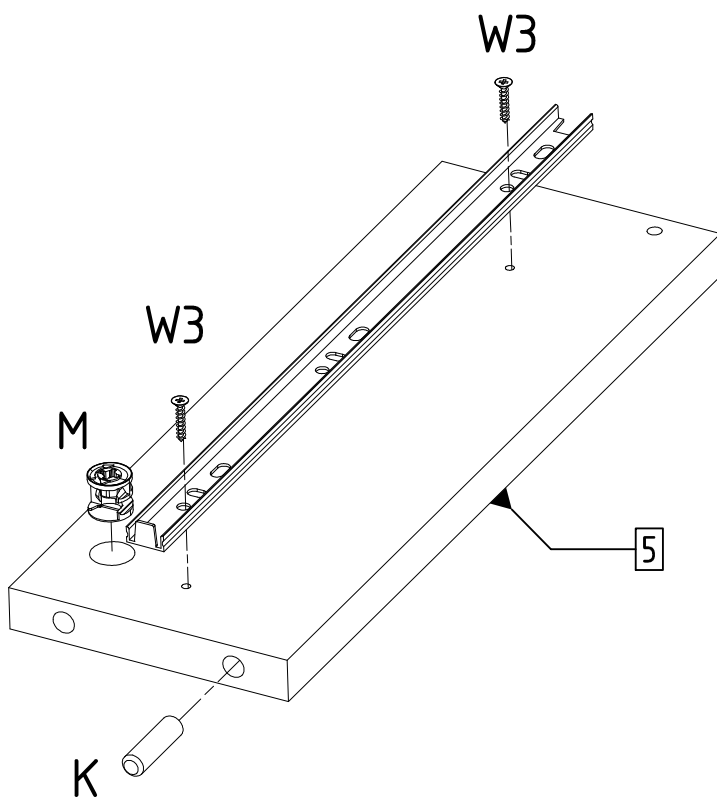
4.

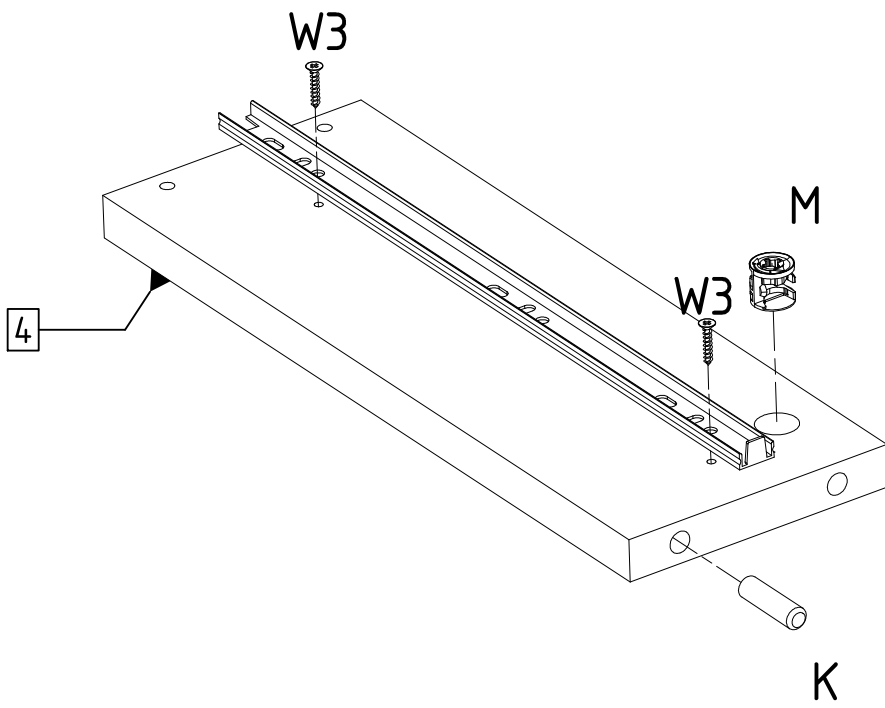


10.

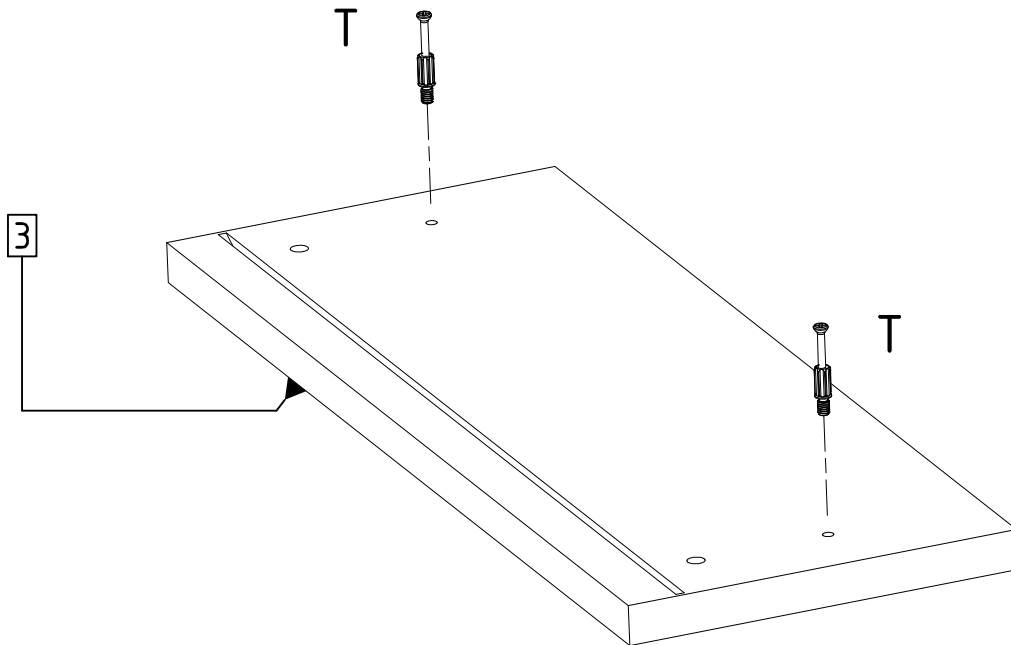


11.

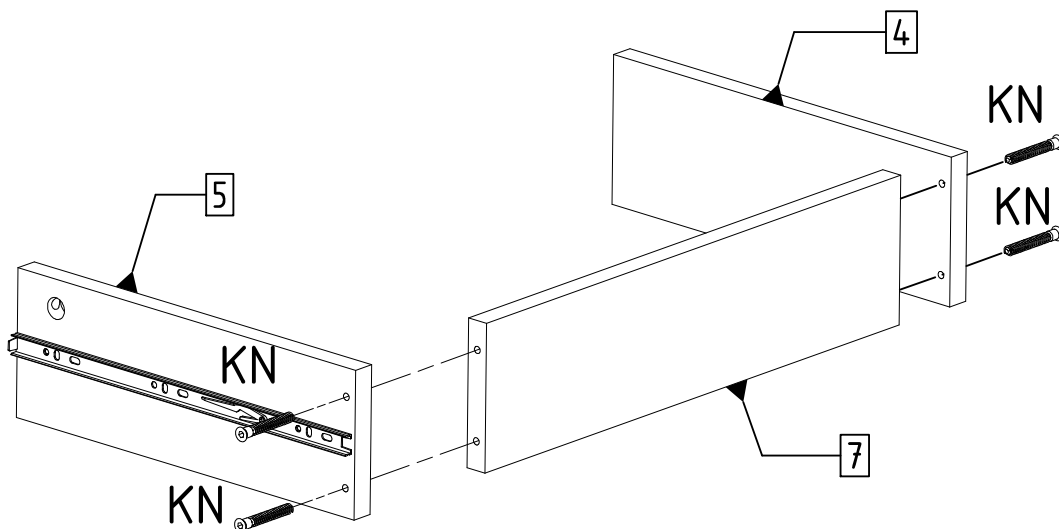




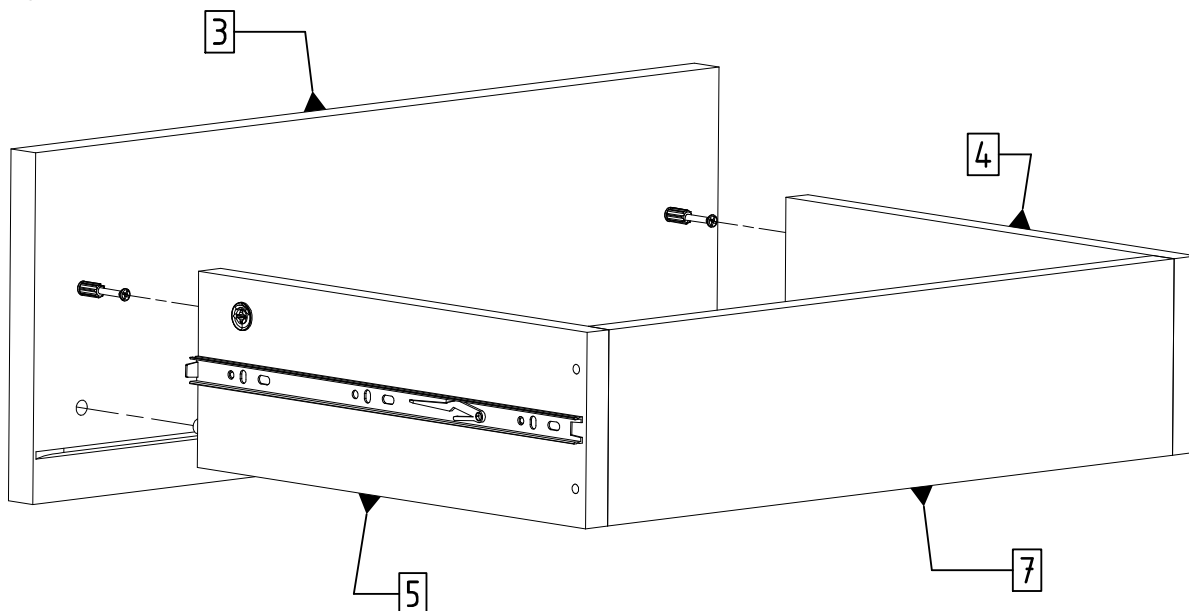
12.



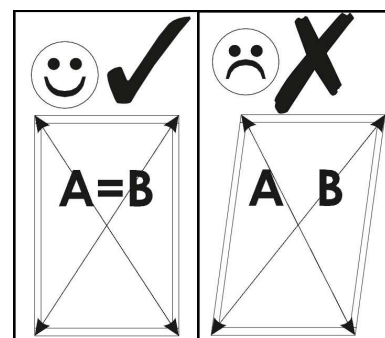
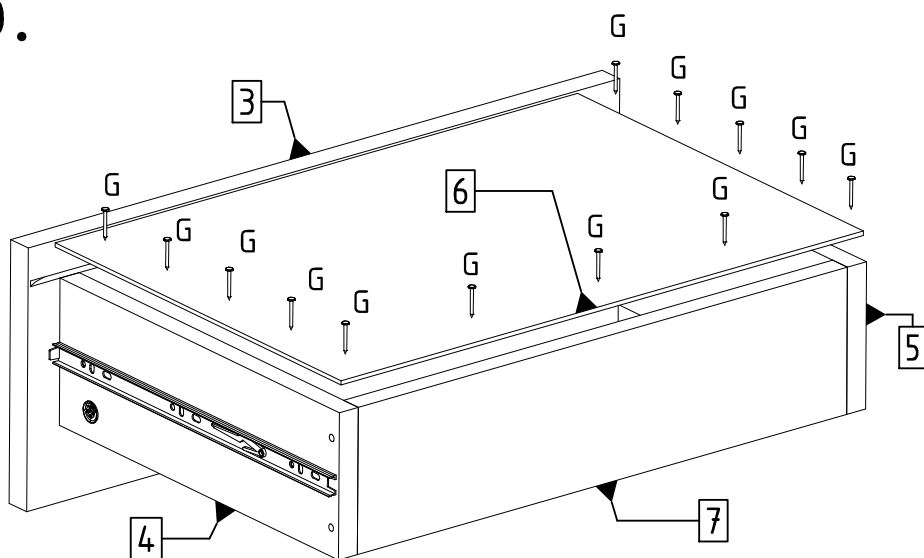
13.



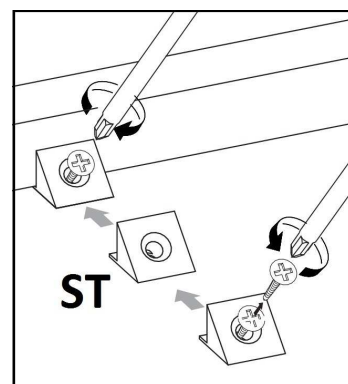
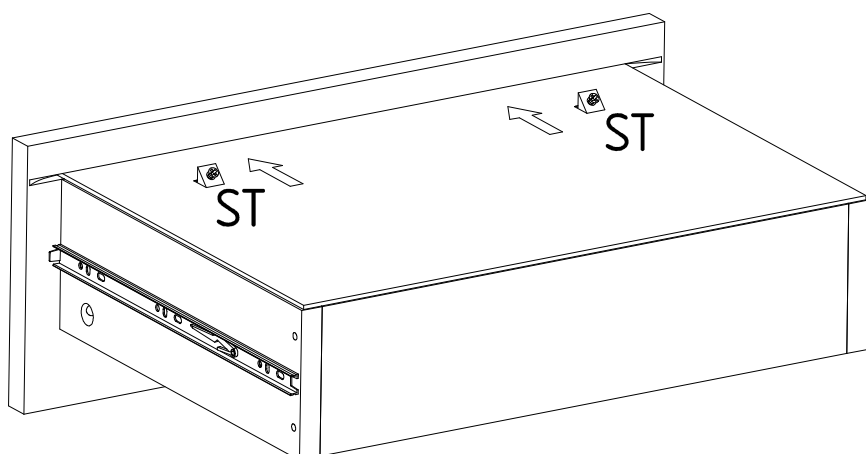
14.



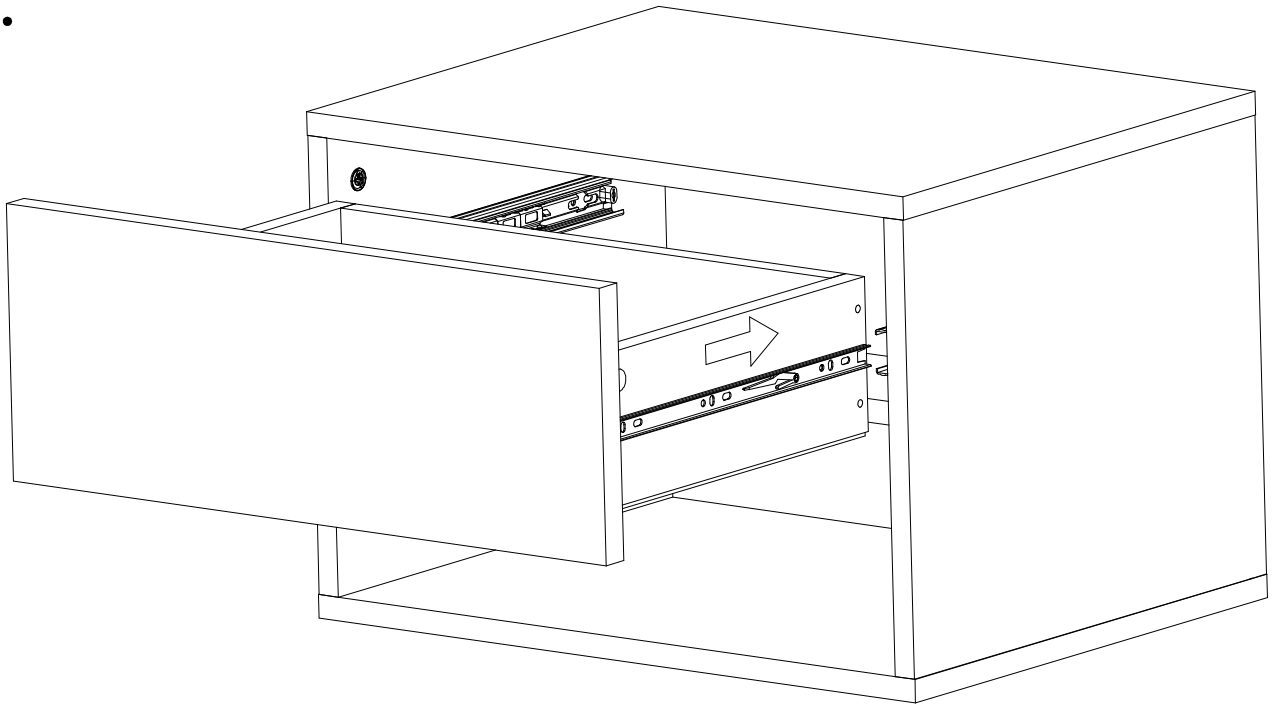
15.



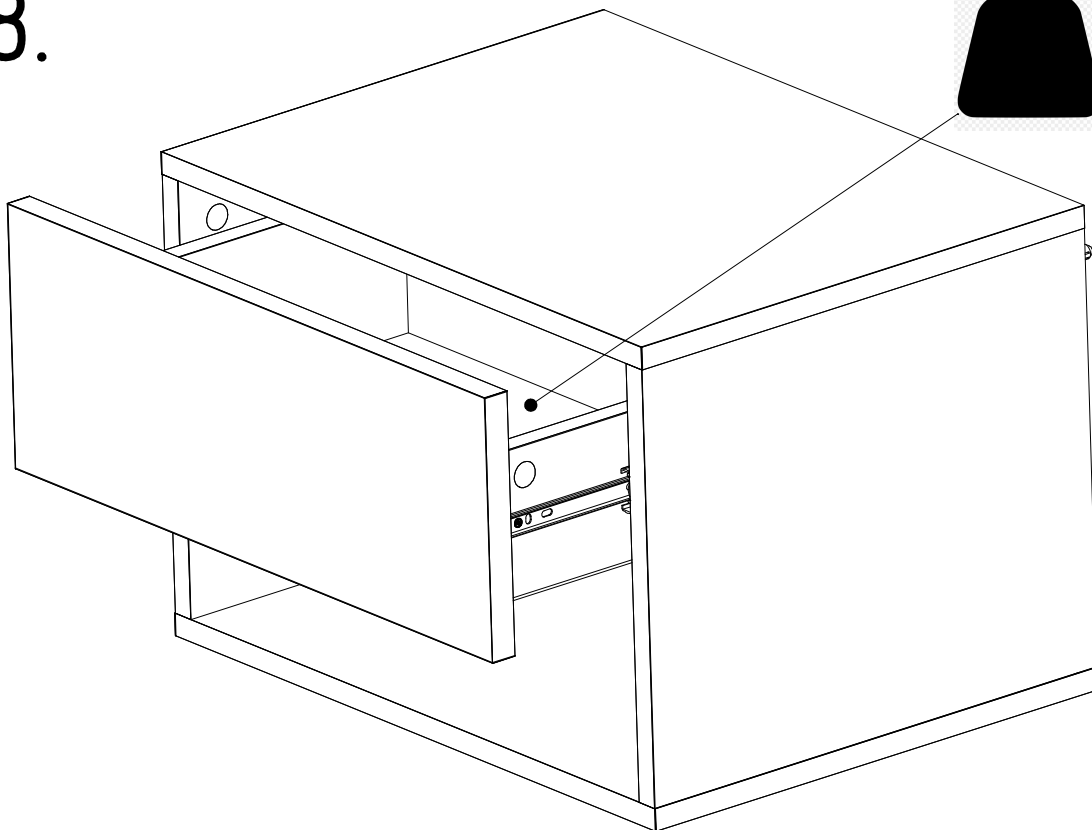
16.



17.



18.



max.
5kg

