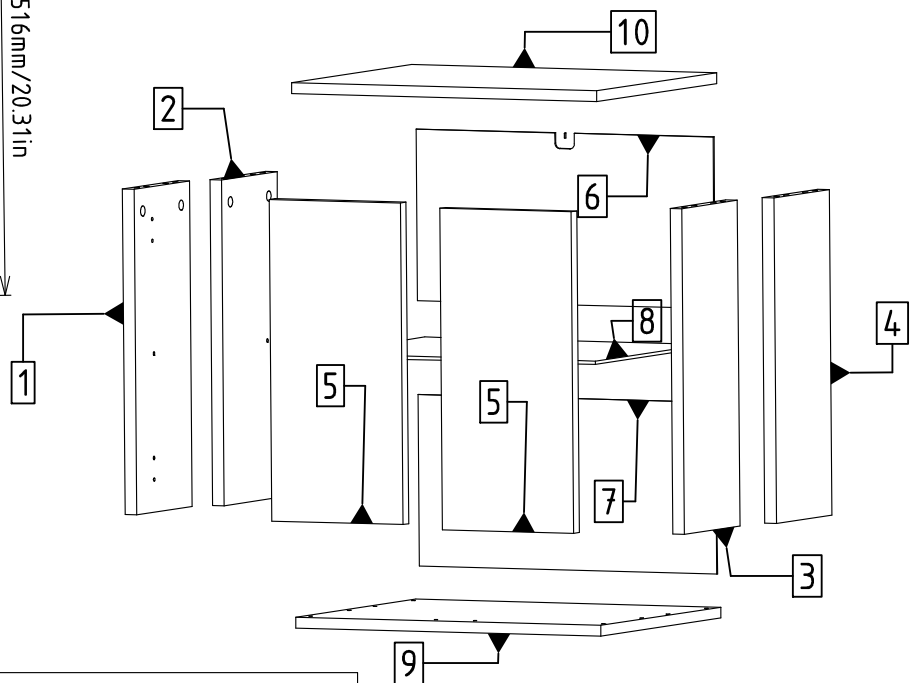
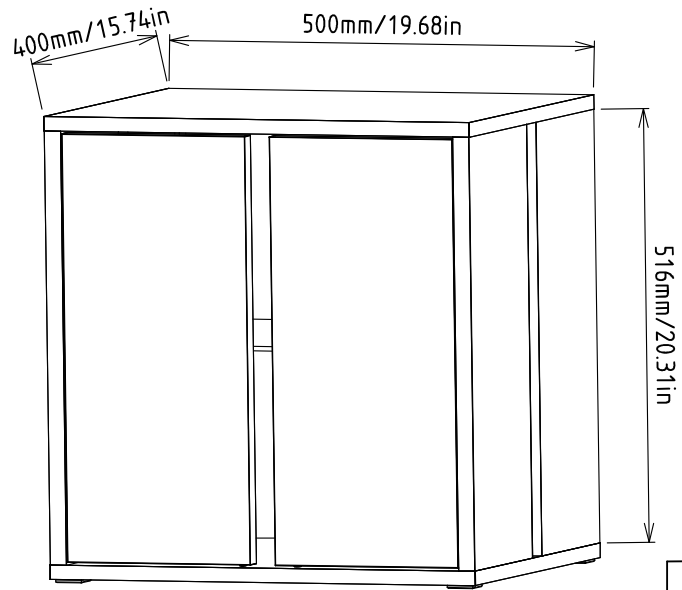
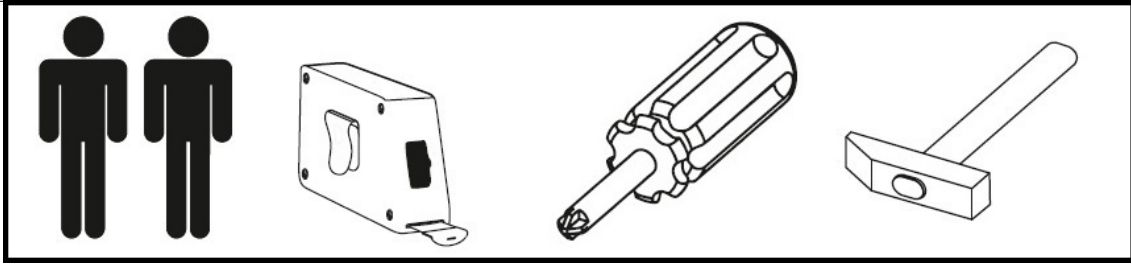


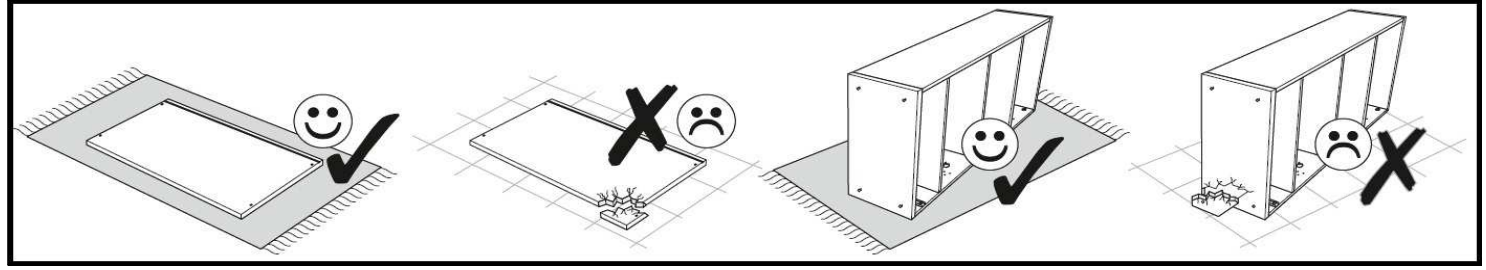
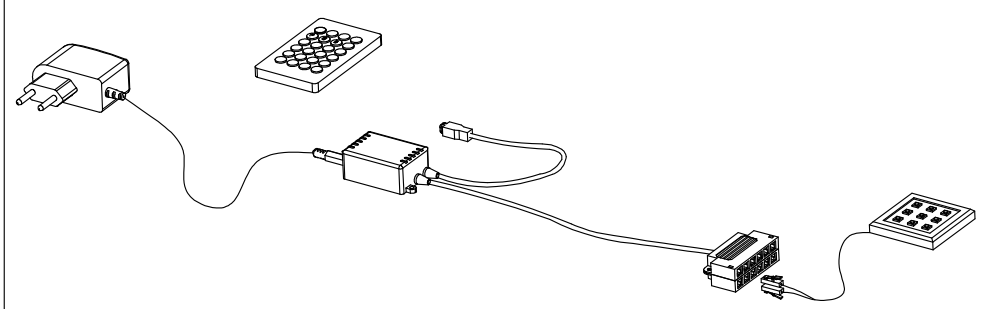
CUBE

CUBE01

OP-74

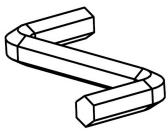
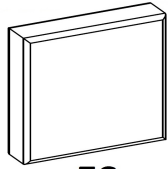
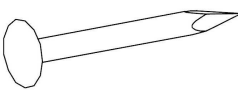
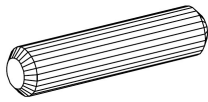
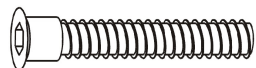

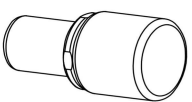

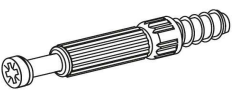
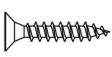
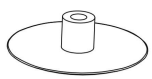
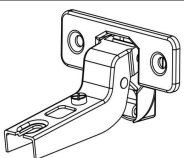


LED ACCESSORIES



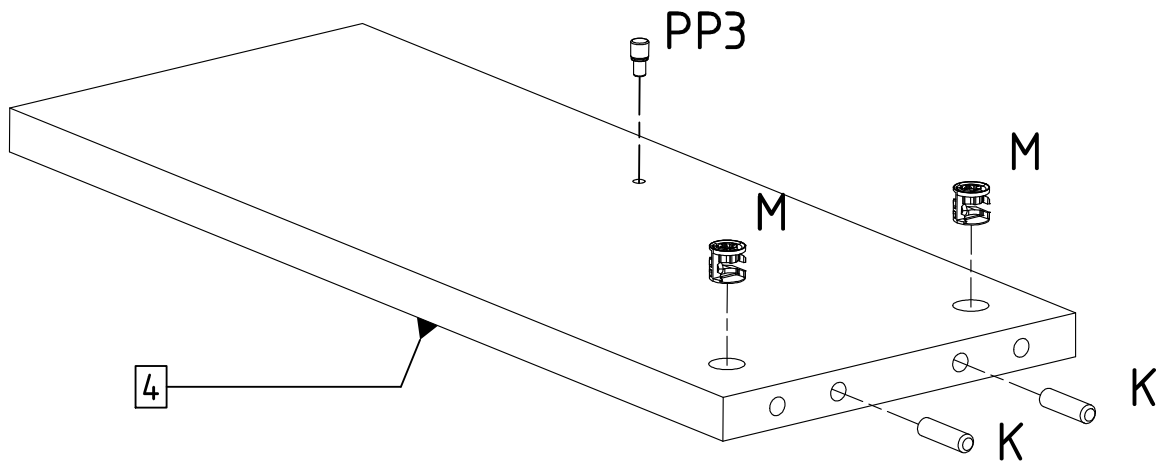
## Table accessories

### CUBE01

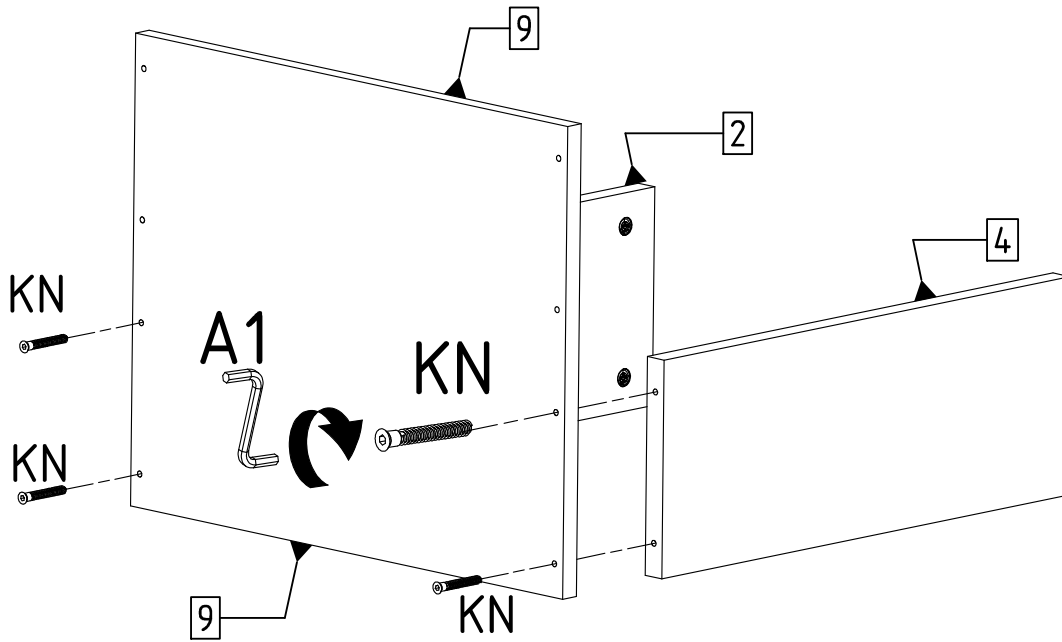
 <b>A1</b>	 <b>FS</b>	 <b>G</b>	<p>8 x 30</p>  <b>K</b>	<p>6,3 X 50</p>  <b>KN</b>
<p>15 x 12</p>  <b>M</b>	 <b>PP3</b>	 <b>PRE</b>	<p>6 x 34 mm</p>  <b>T</b>	<p>4 x 16</p>  <b>W16</b>
 <b>Z</b>	 <b>ZP5</b>			

Elements				Accessories	
SYMBOL	LENGTH	WIDTH	QUANTITY	SYMBOL	QUANTITY
BL1[1]	480	185	1	A1	1
BL2[2]	480	185	1	FS	4
BP1[3]	480	185	1	G	18
BP2[4]	480	185	1	K	8
FT[5]	474	215	2	KN	8
PC1[6]	487	253	1	M	8
PC2[7]	487	253	1	PP3	6
PS[8]	459	365	1	PRE	4
WD[9]	500	400	1	T	8
WG[10]	500	400	1	W16	8
				Z	8
				ZP5	4

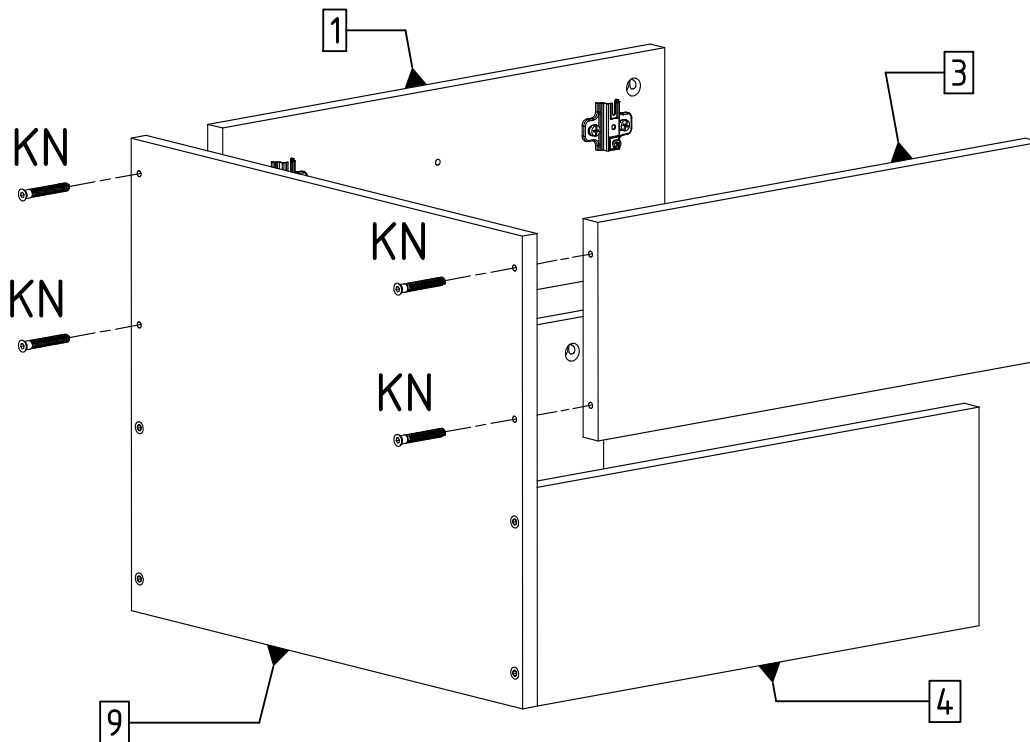


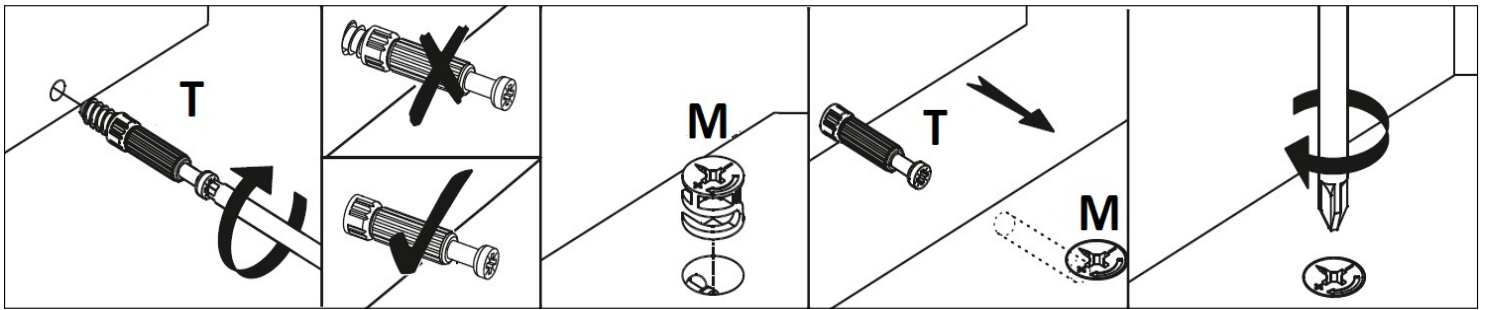


2.

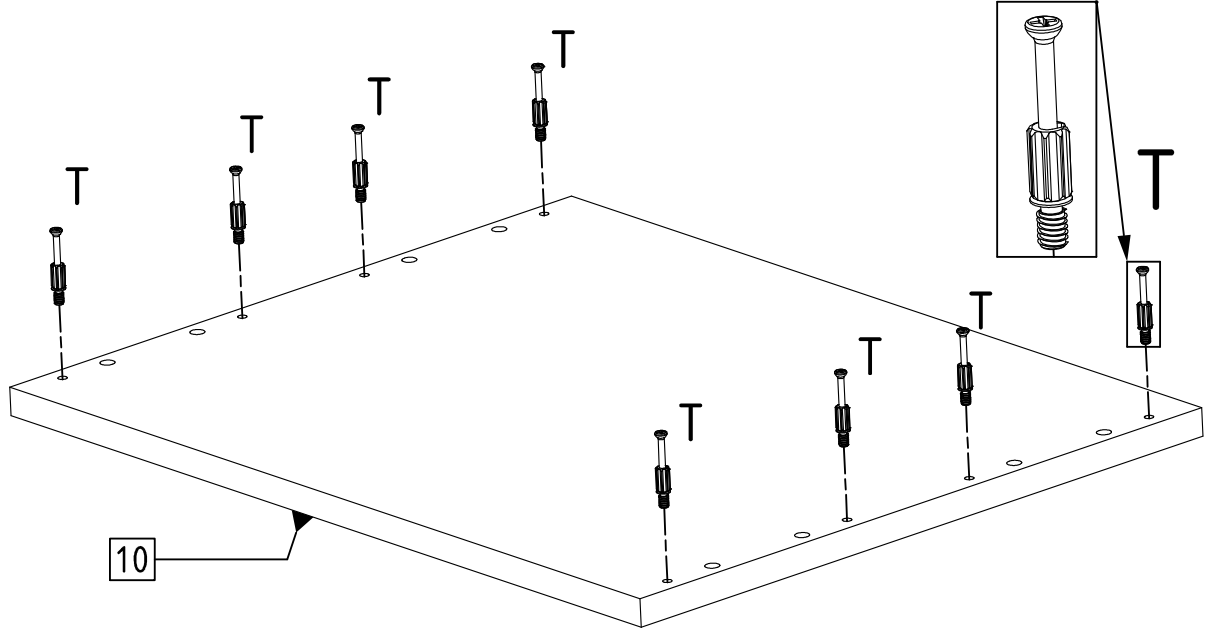


3.

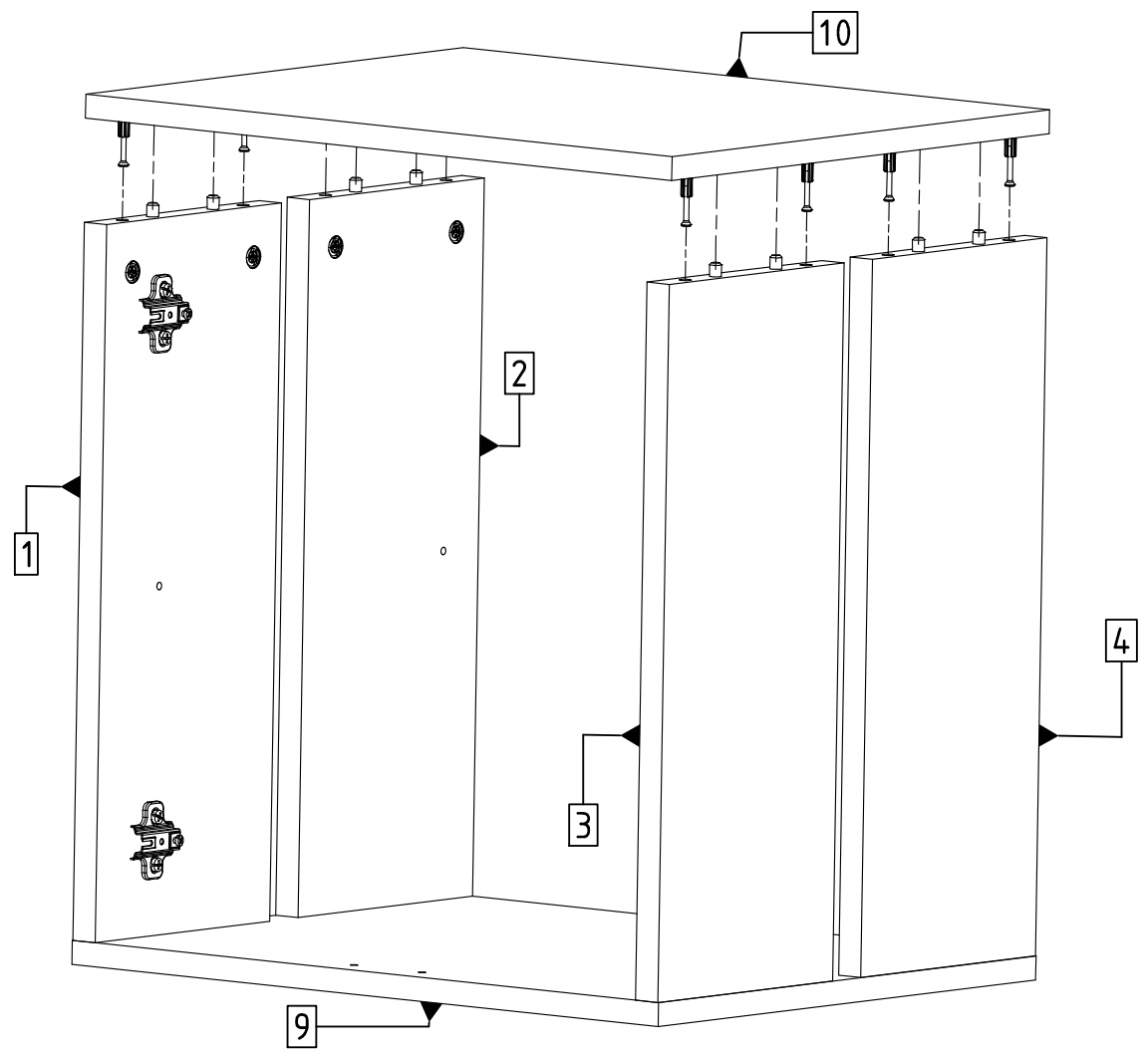




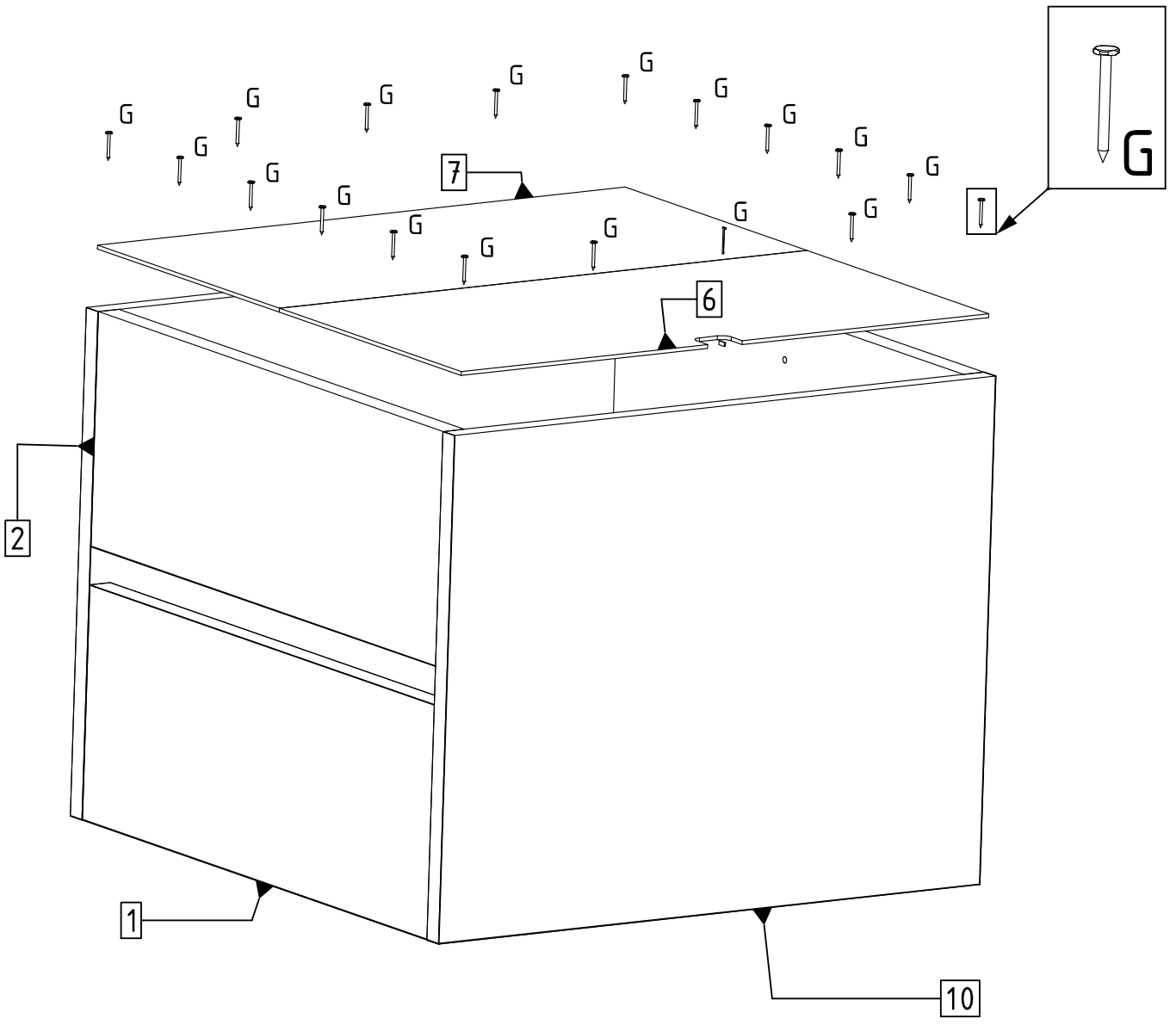
4.



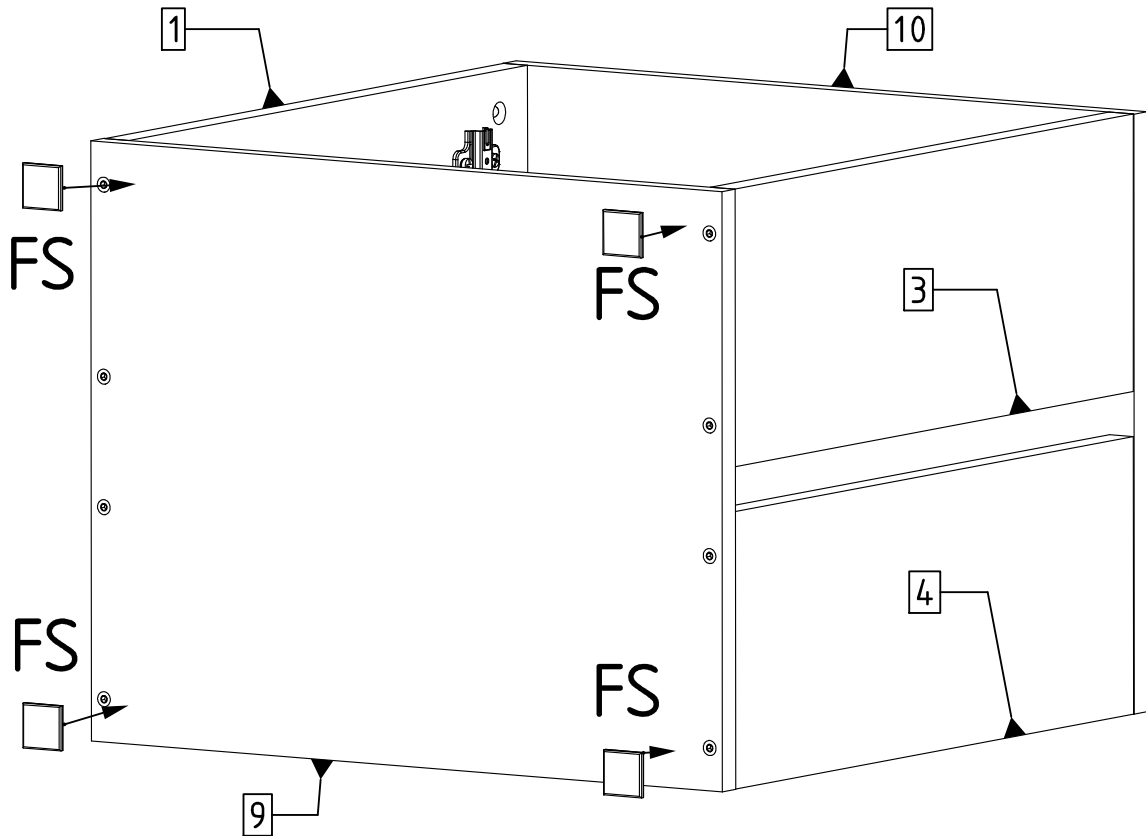
5.



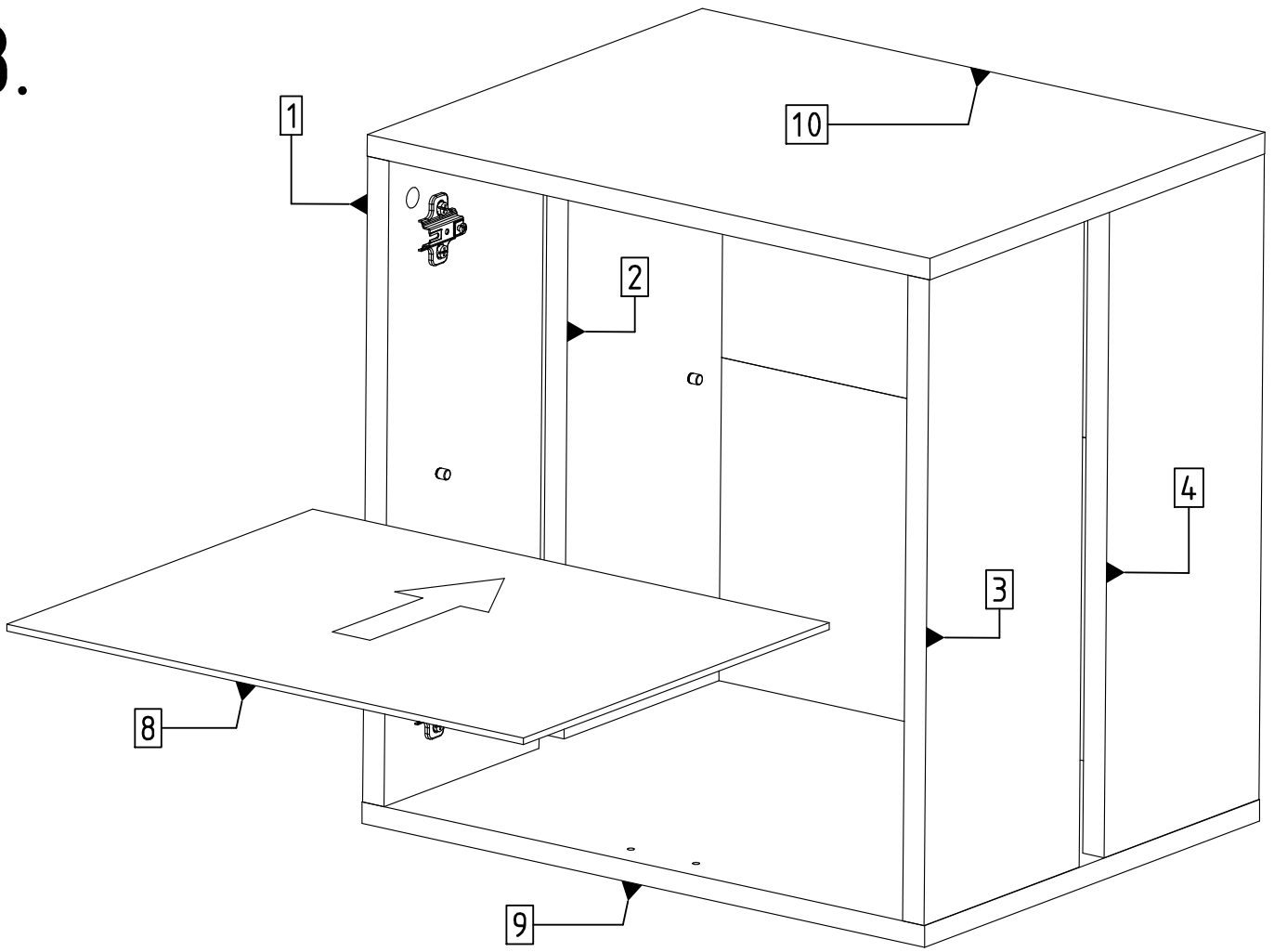
6.



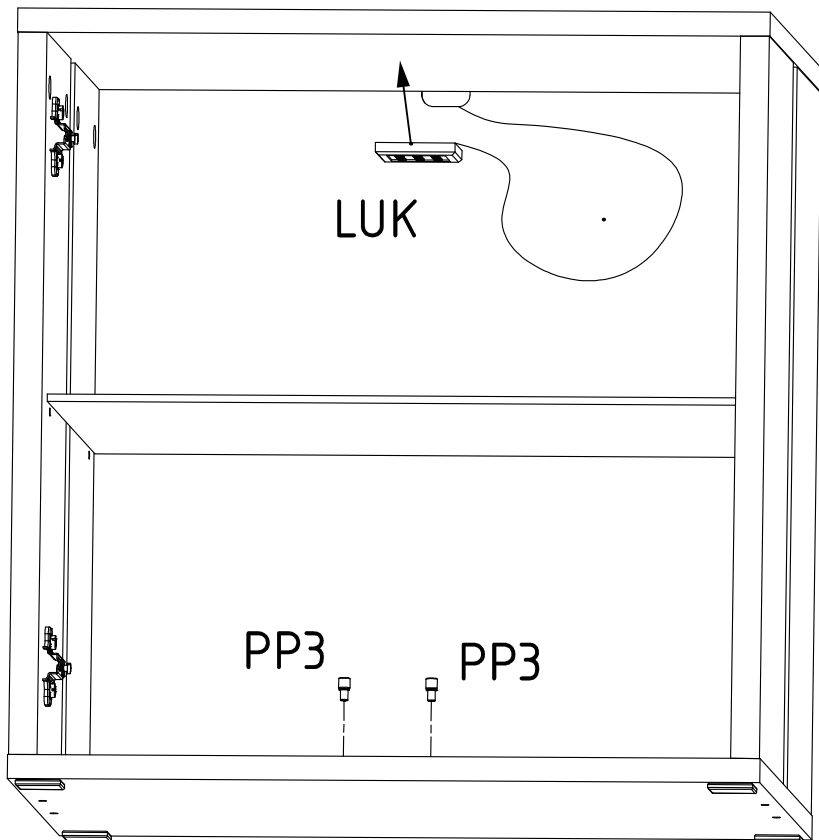
7.



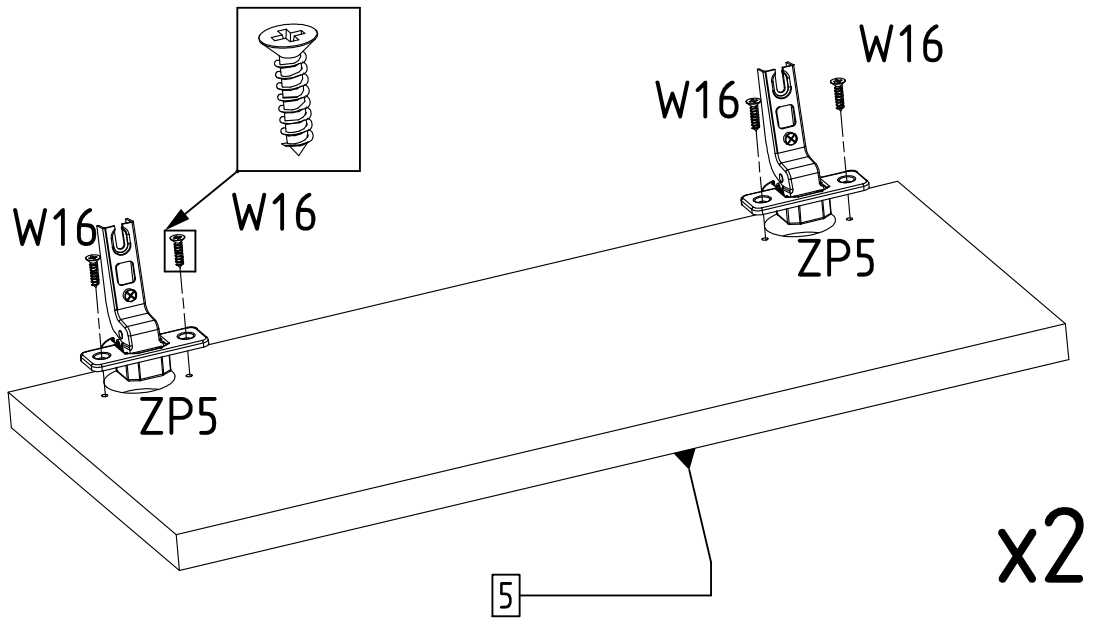
8.



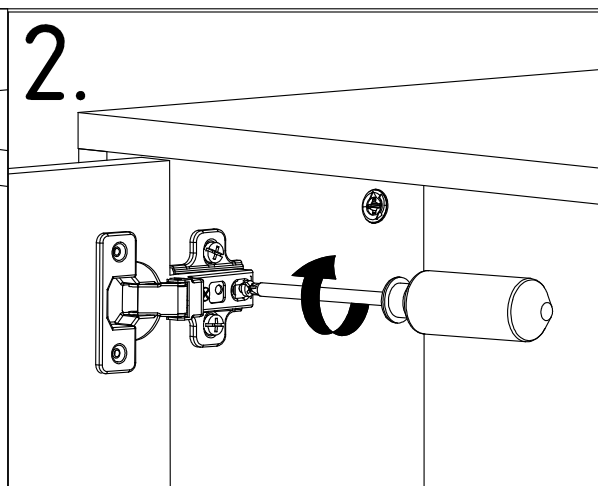
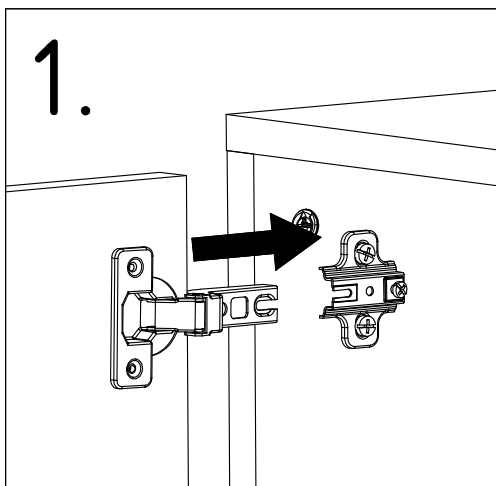
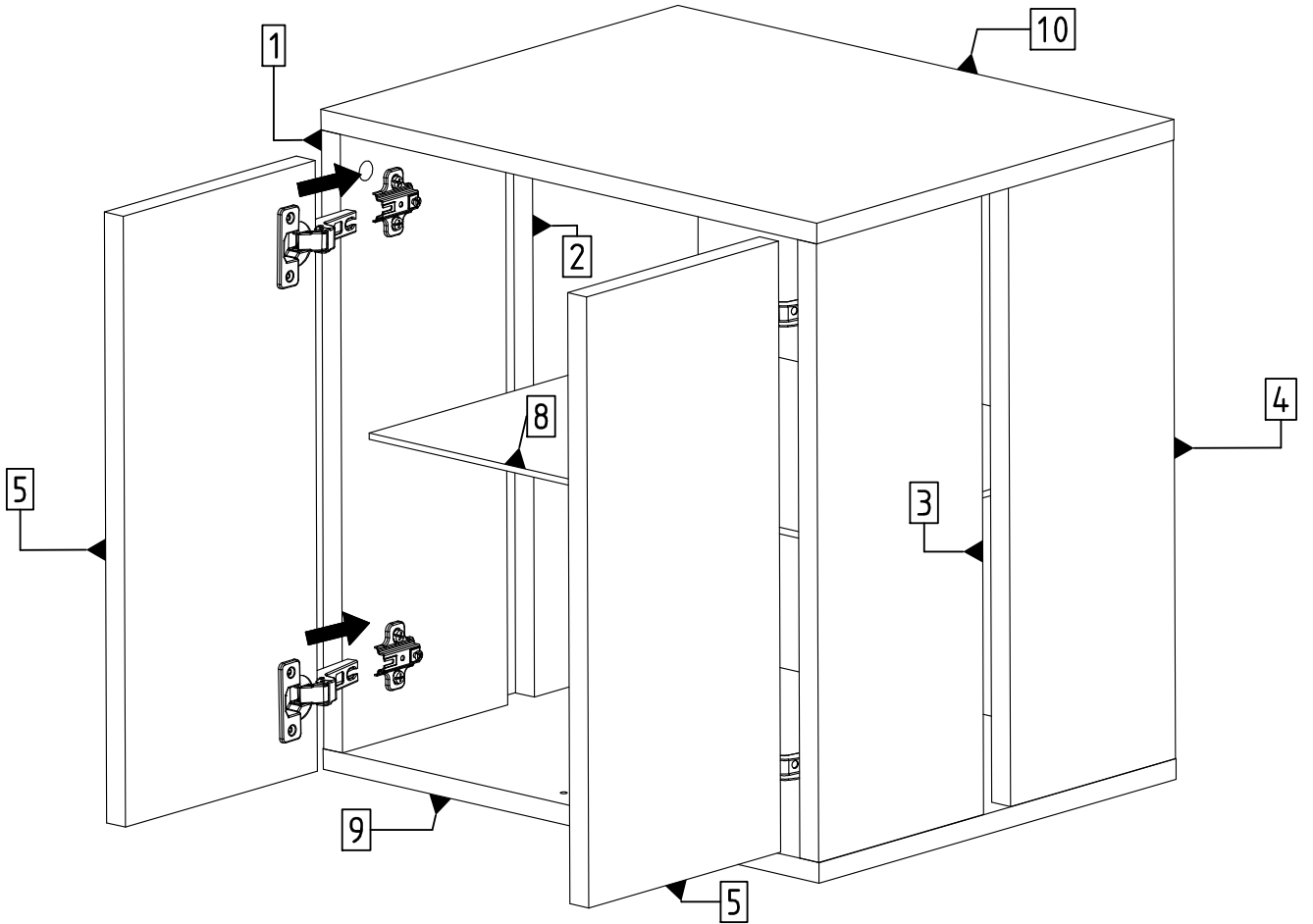
9.



10.



11.





# 12.

