

DAKOTA

DAKOTA_01

OP-75

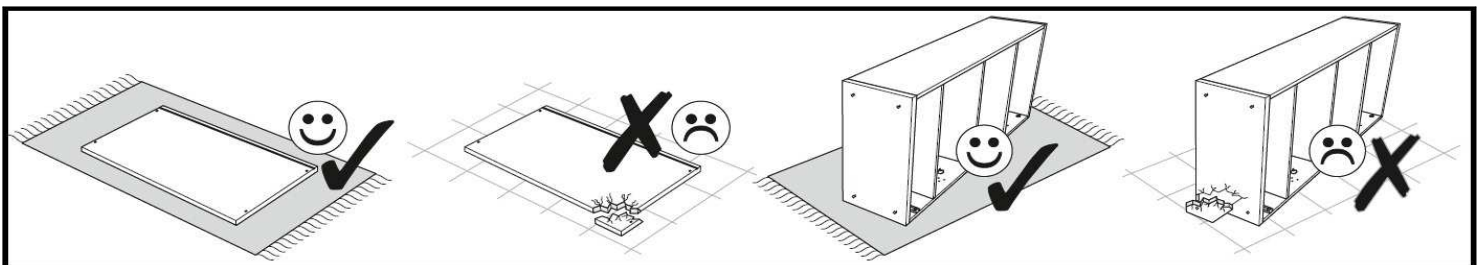
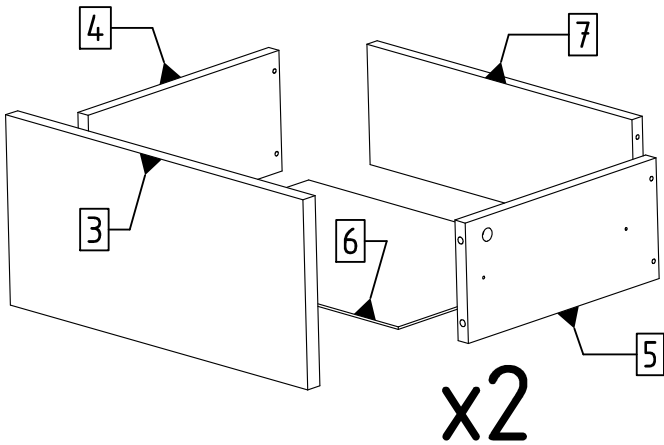
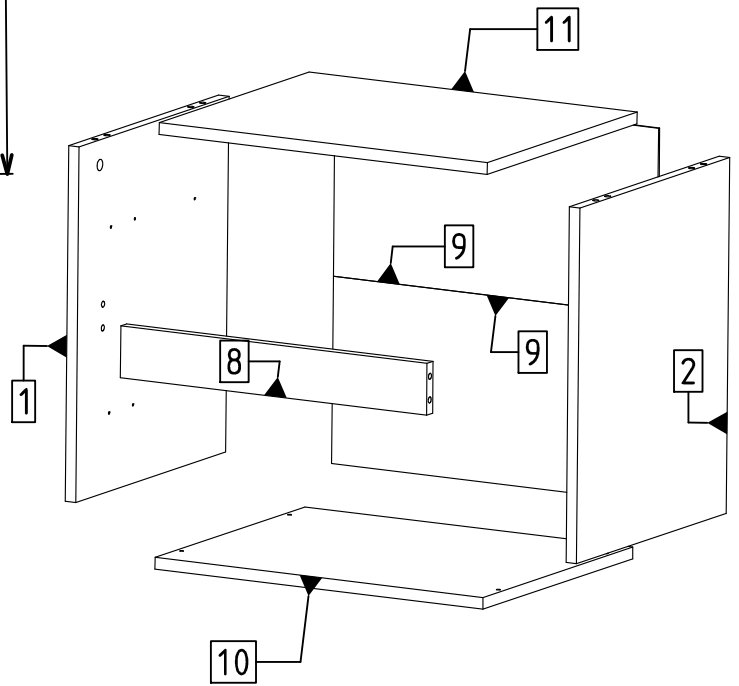
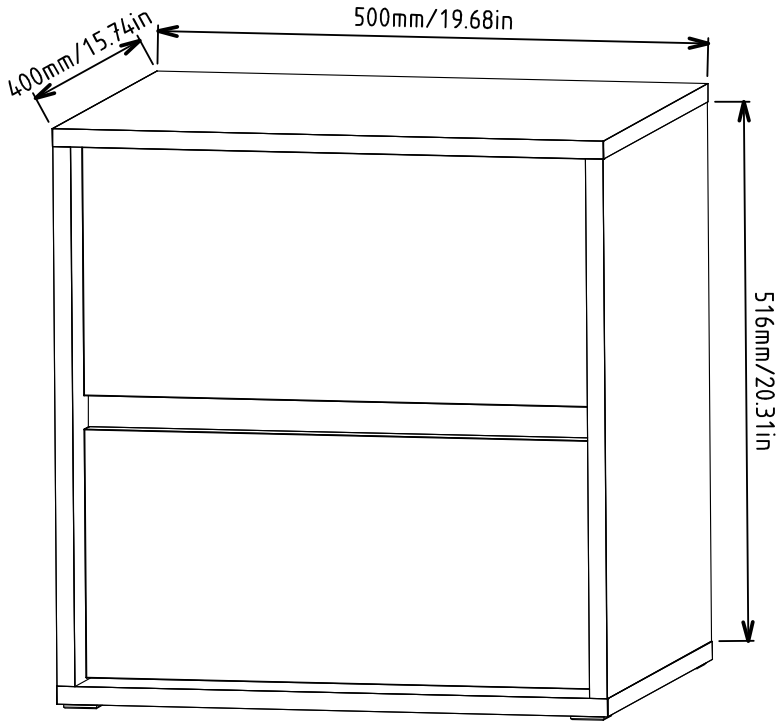
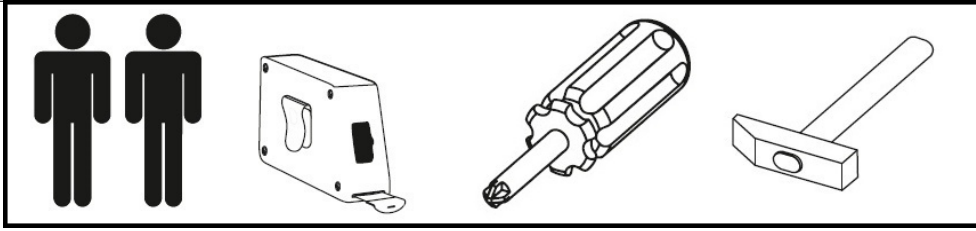
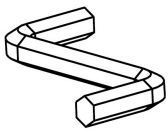
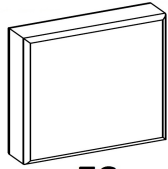
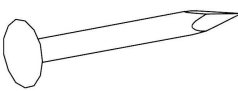
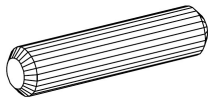
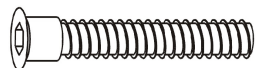

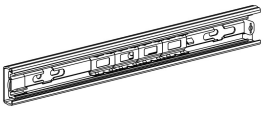
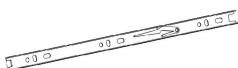
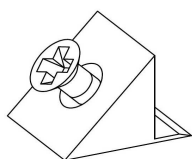
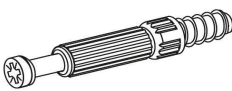
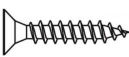
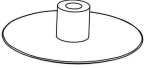
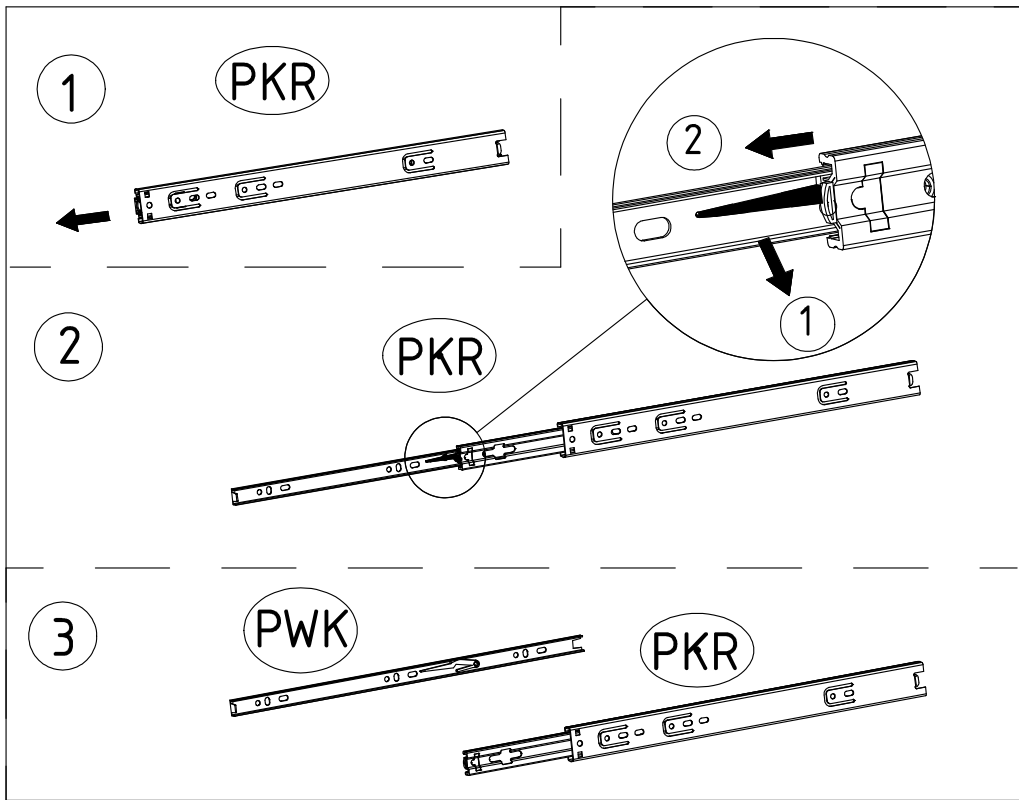


Table accessories

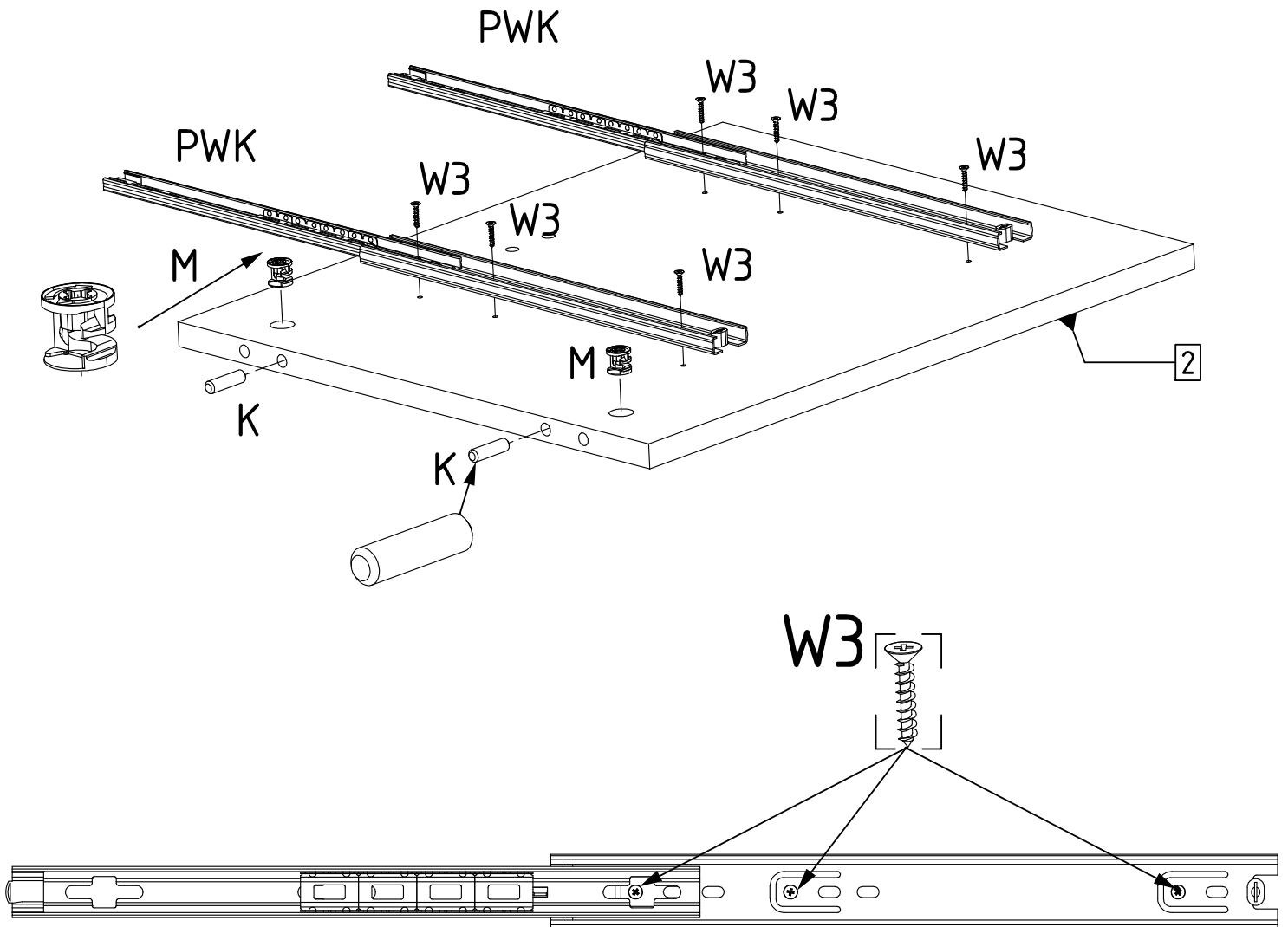
DAKOTA_01

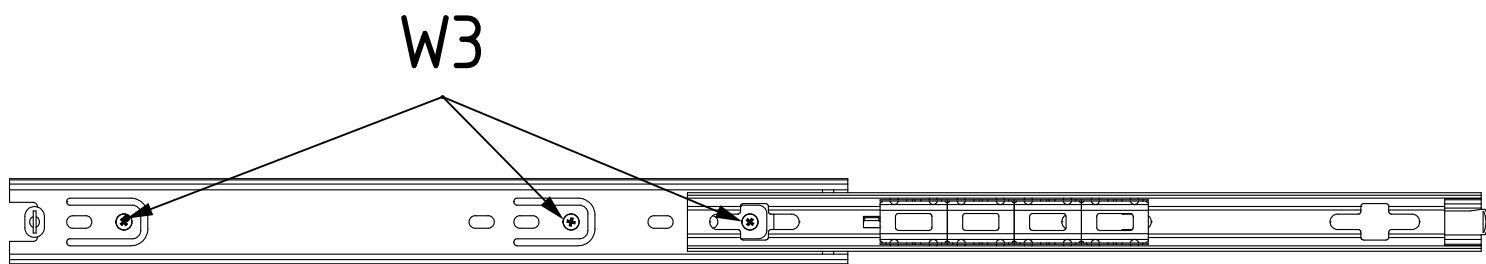
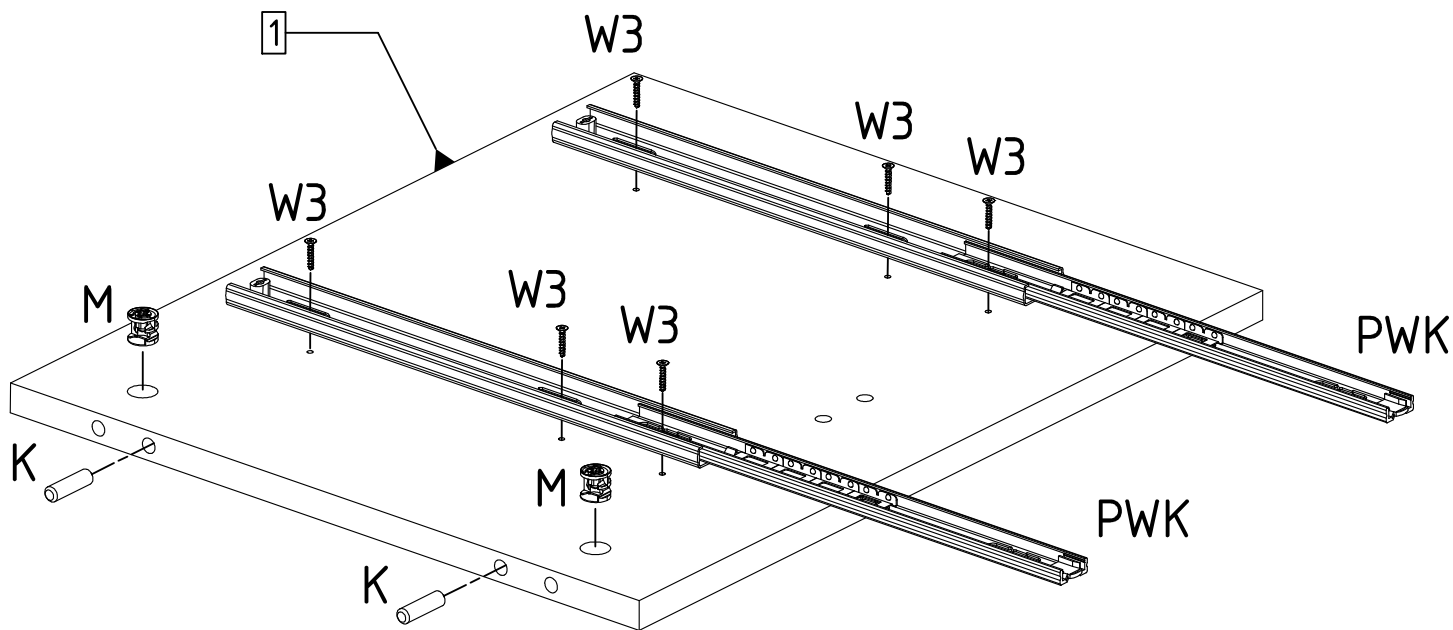
 A1	 FS	 G	8 x 30  K	6,3 X 50  KN
15 x 12  M	L300  PKR	L300  PWK	 ST	6 x 34 mm  T
3 x 16mm  W3	 Z			

Elements				Accessories	
SYMBOL	LENGTH	WIDTH	QUANTITY	SYMBOL	QUANTITY
BL[1]	480	400	1	A1	1
BP[2]	480	400	1	FS	4
FTS[3]	461	221	2	G	44
KBL[4]	300	140	2	K	12
KBP[5]	300	140	2	KN	12
KD[6]	439	304	2	M	8
KT[7]	411	140	2	PKR_L300	4
LC[8]	467	70	1	PWK_L300	4
PC[9]	493	253	2	ST	4
WD[10]	500	400	1	T	8
WG[11]	500	400	1	W3	20
				Z	8

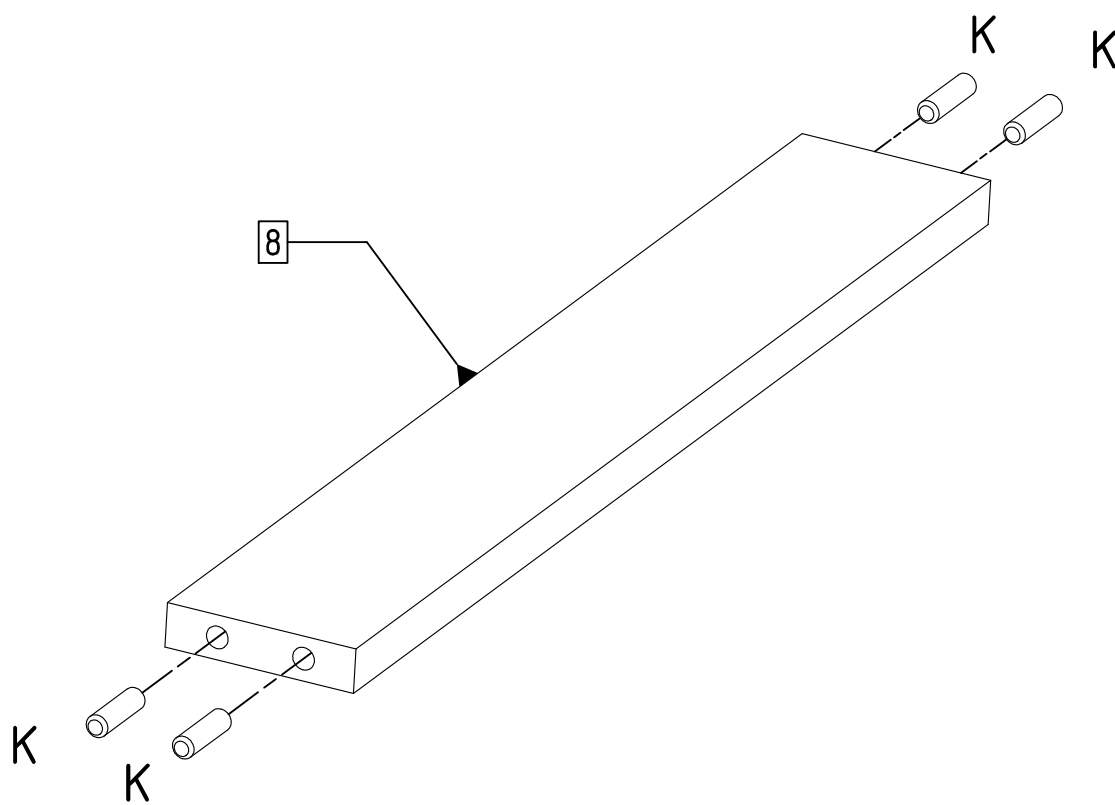


1.

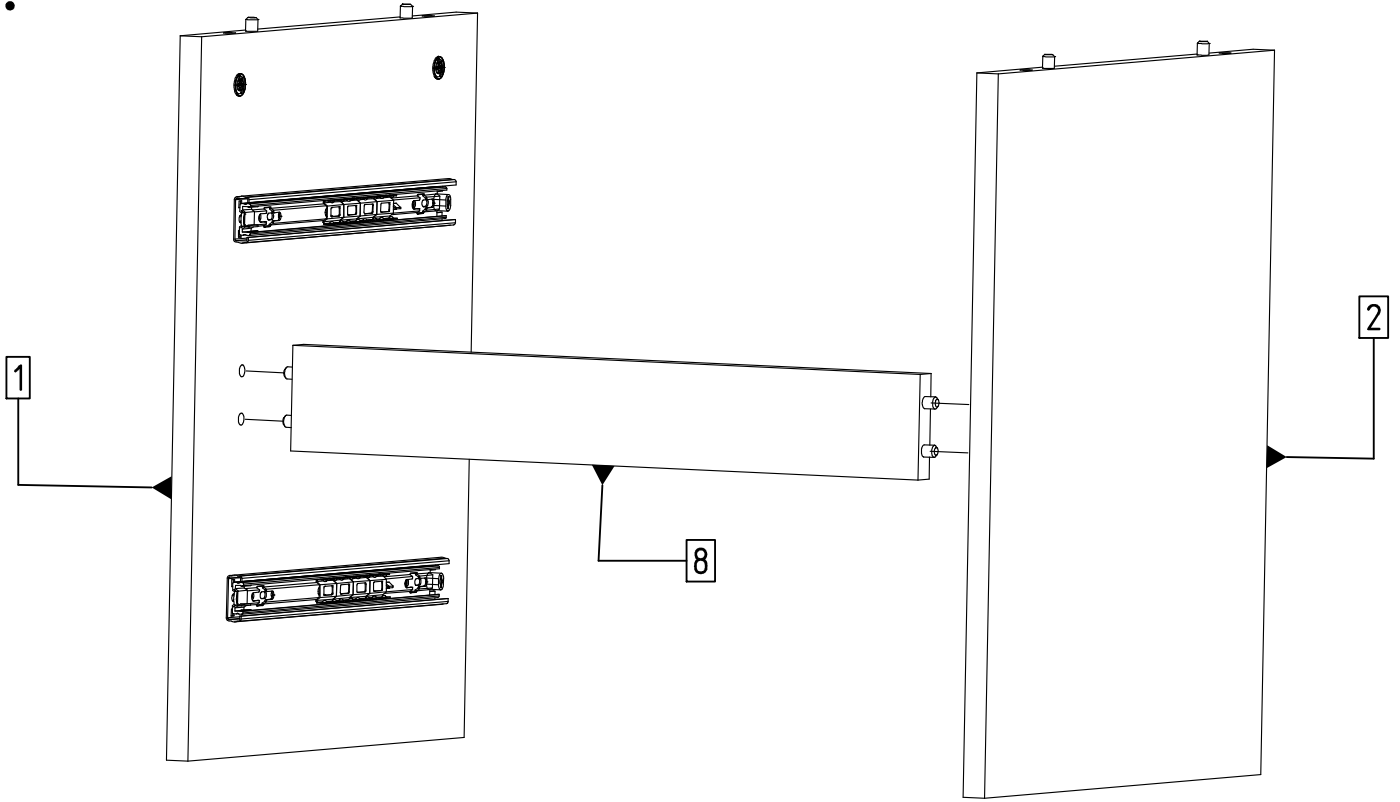




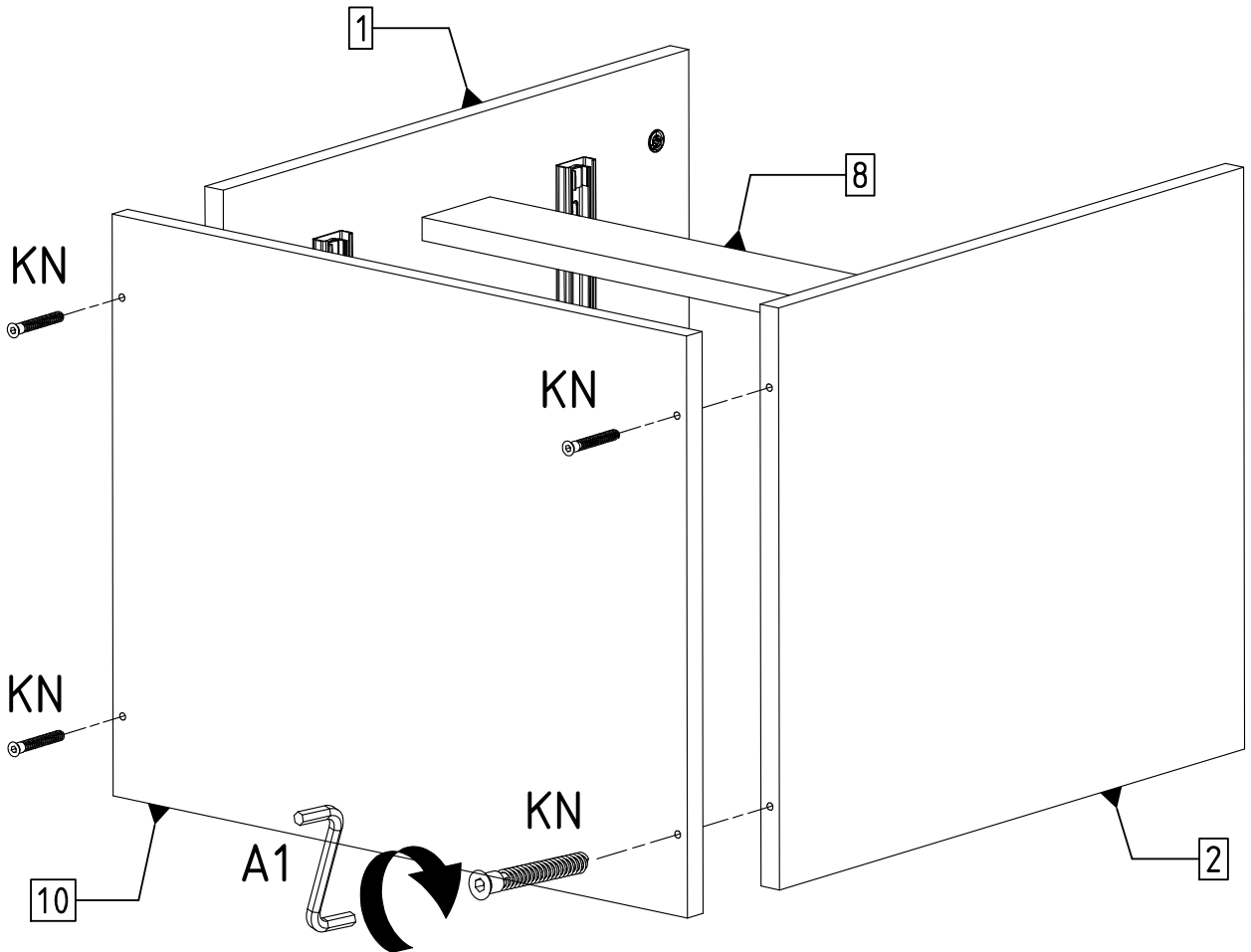
2.

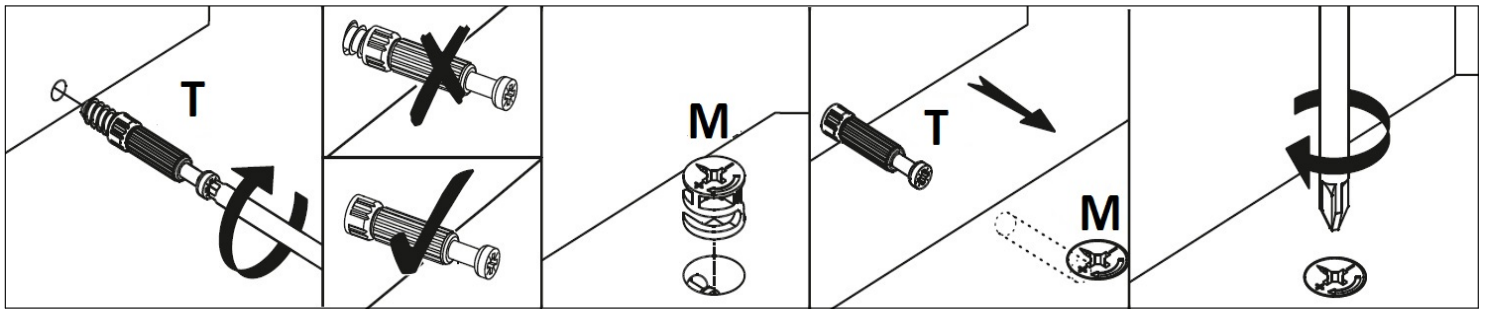


3.

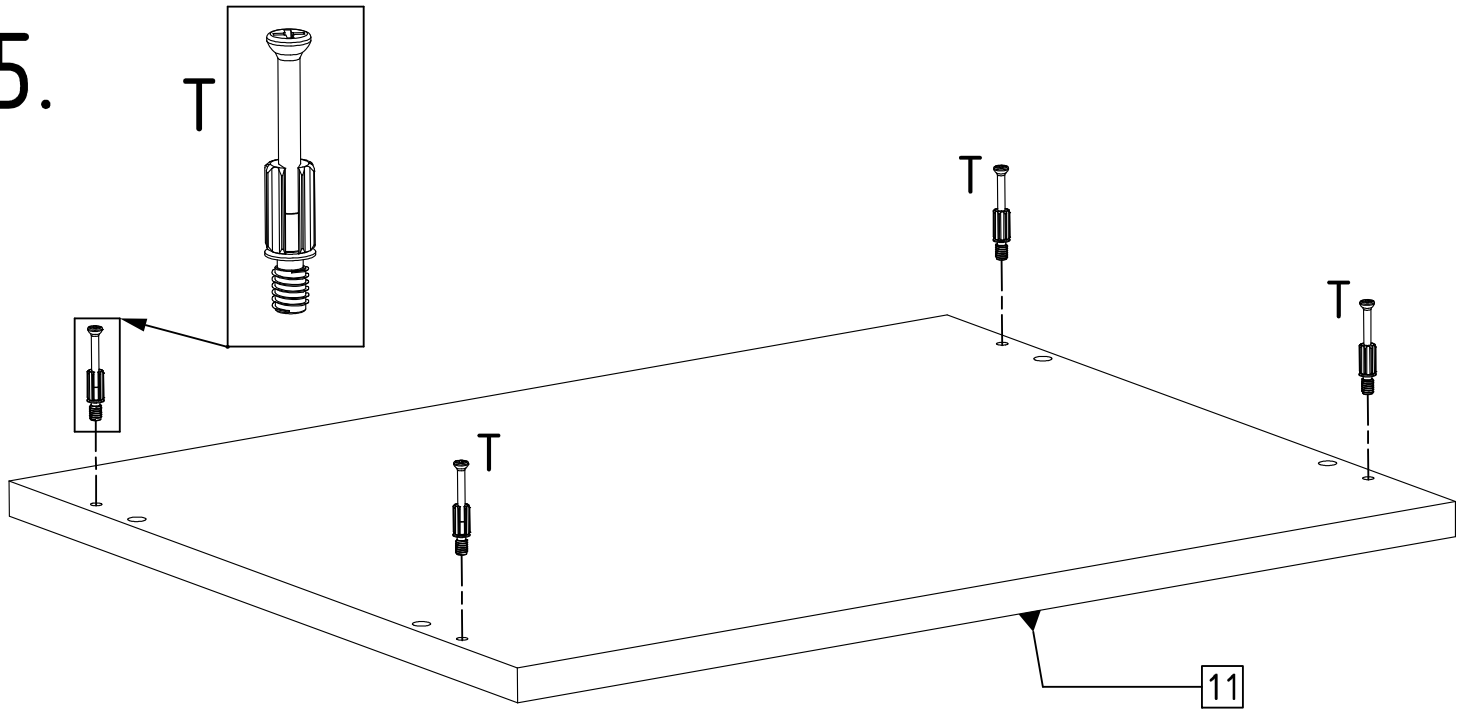


4.

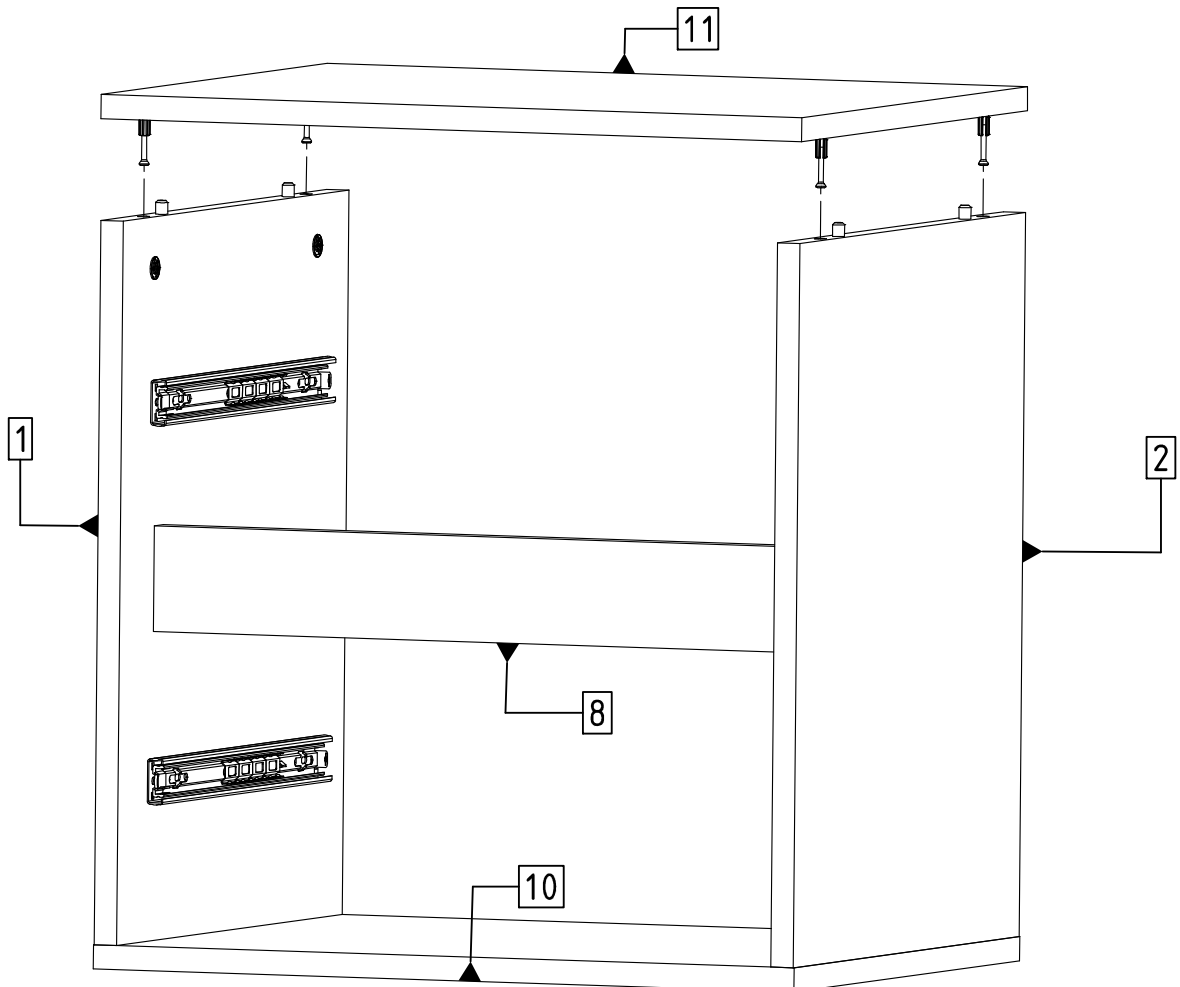




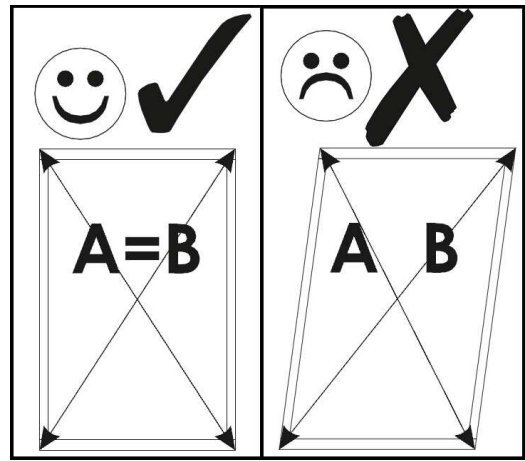
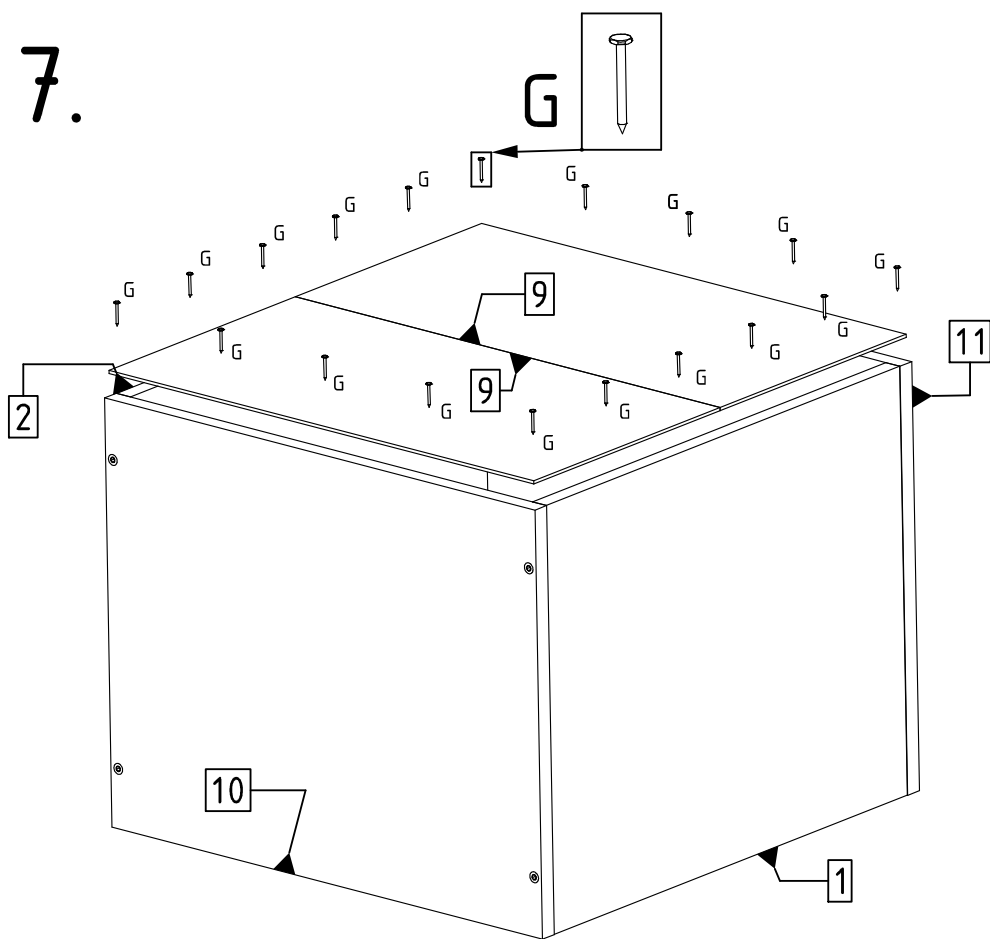
5.



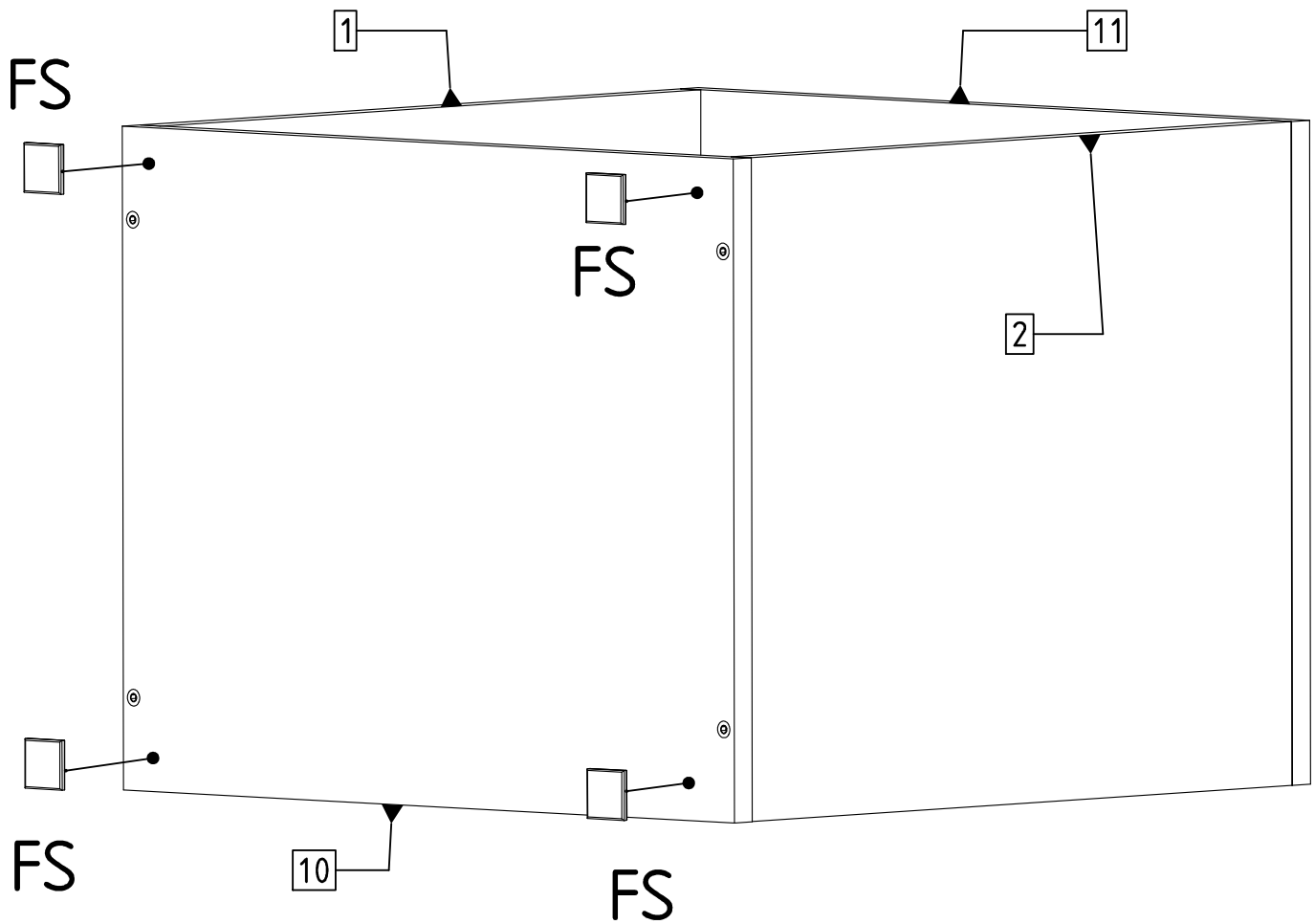
6.



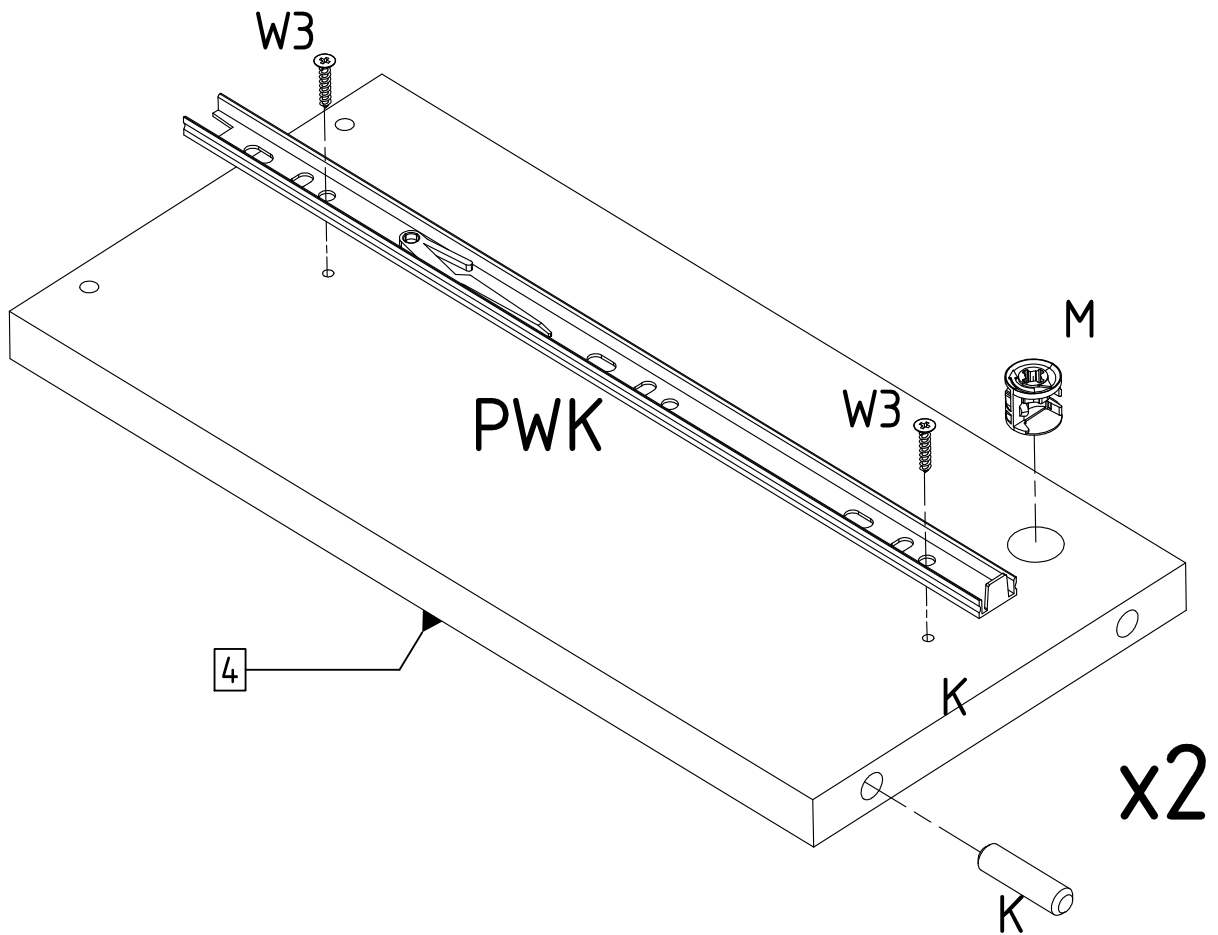
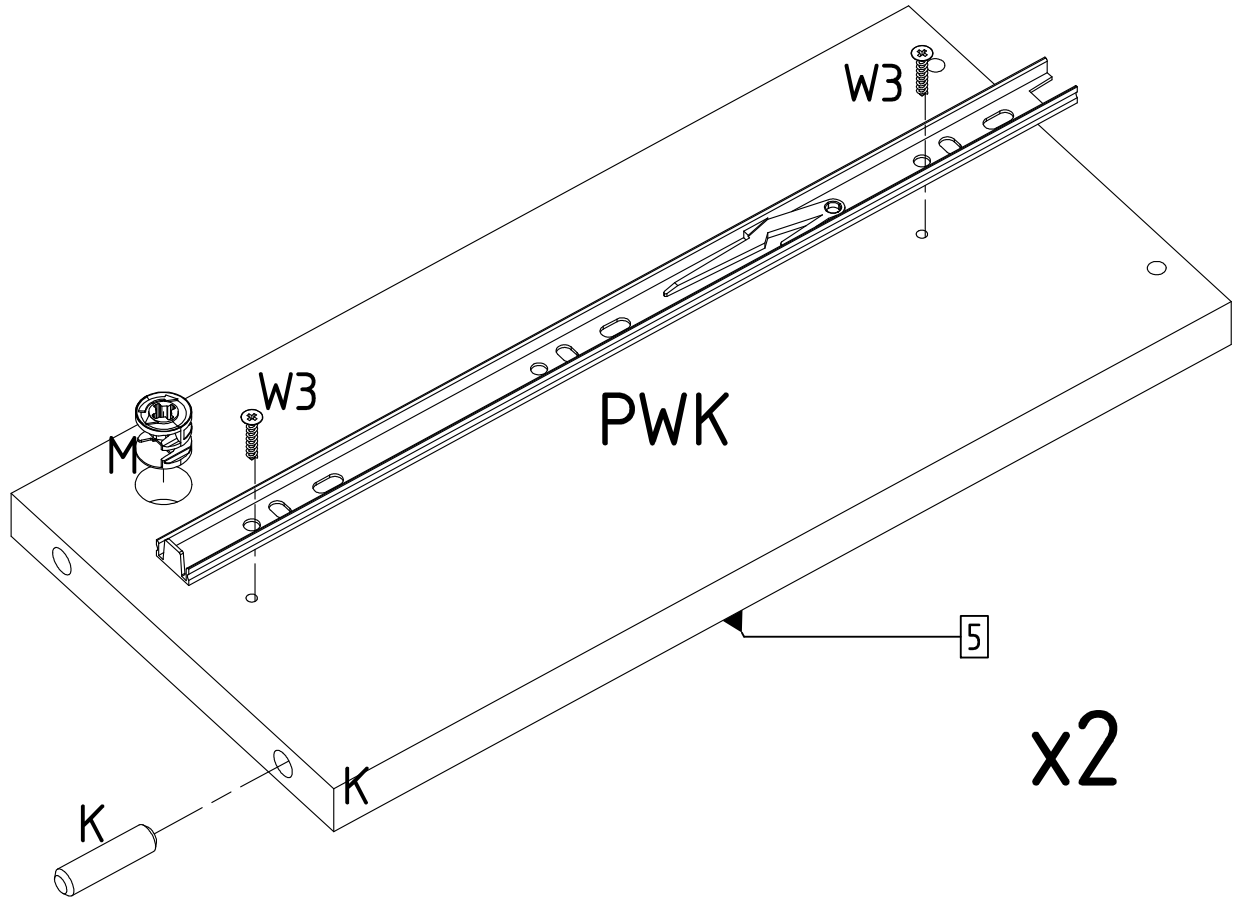
7.



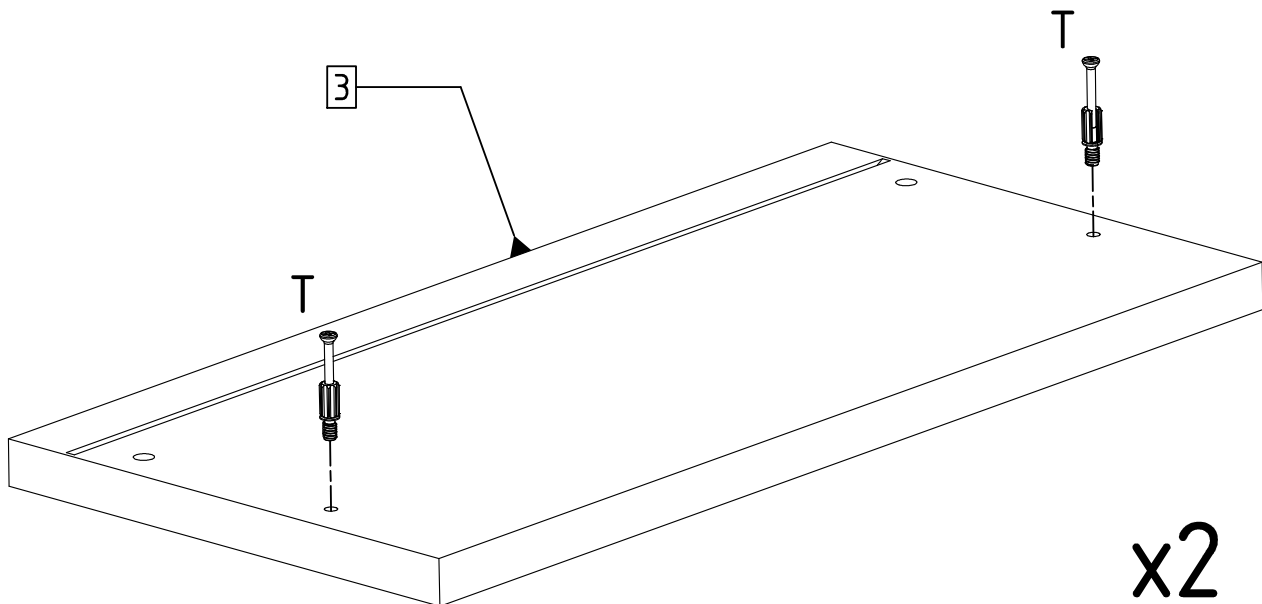
8.



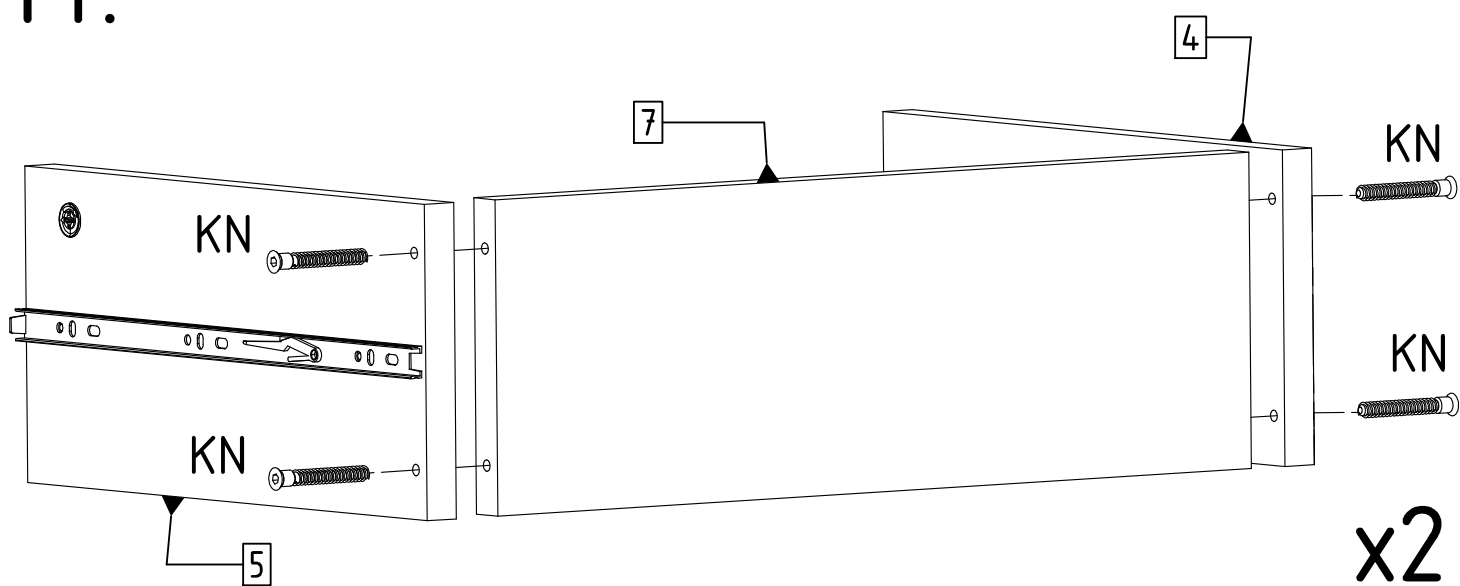
9.



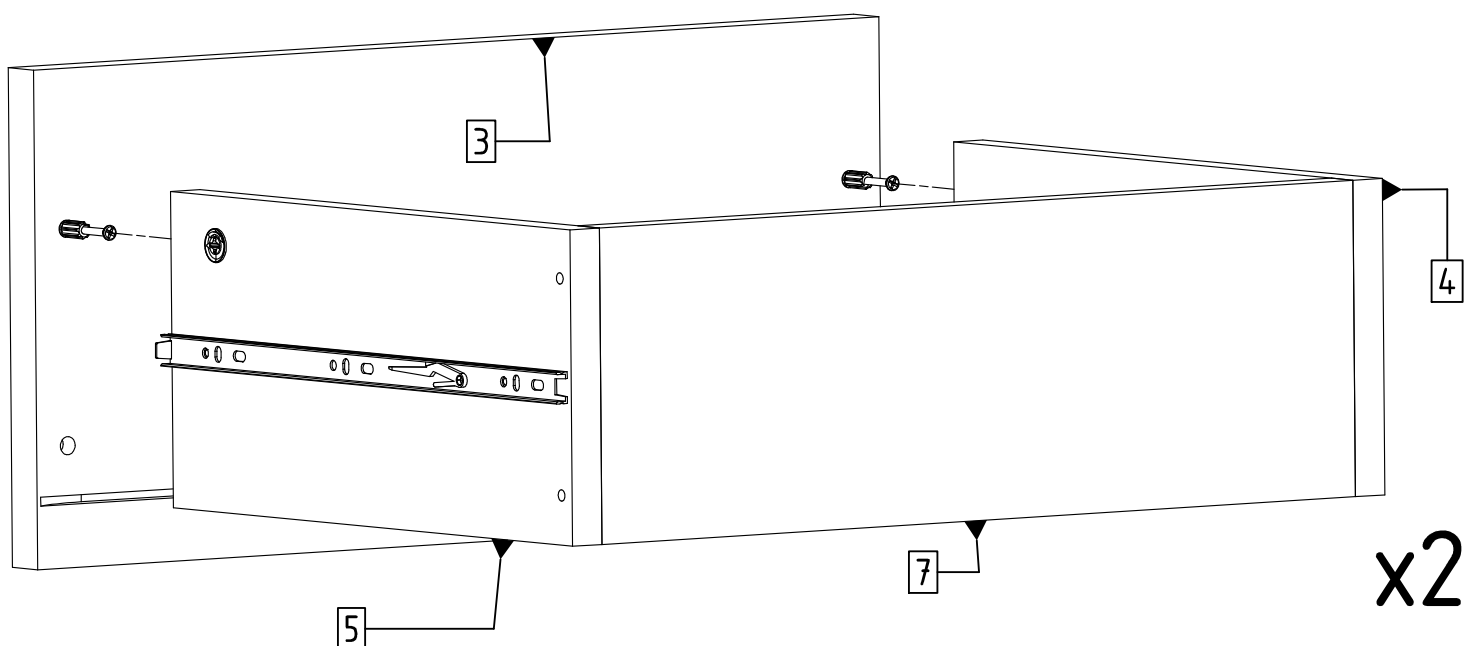
10.



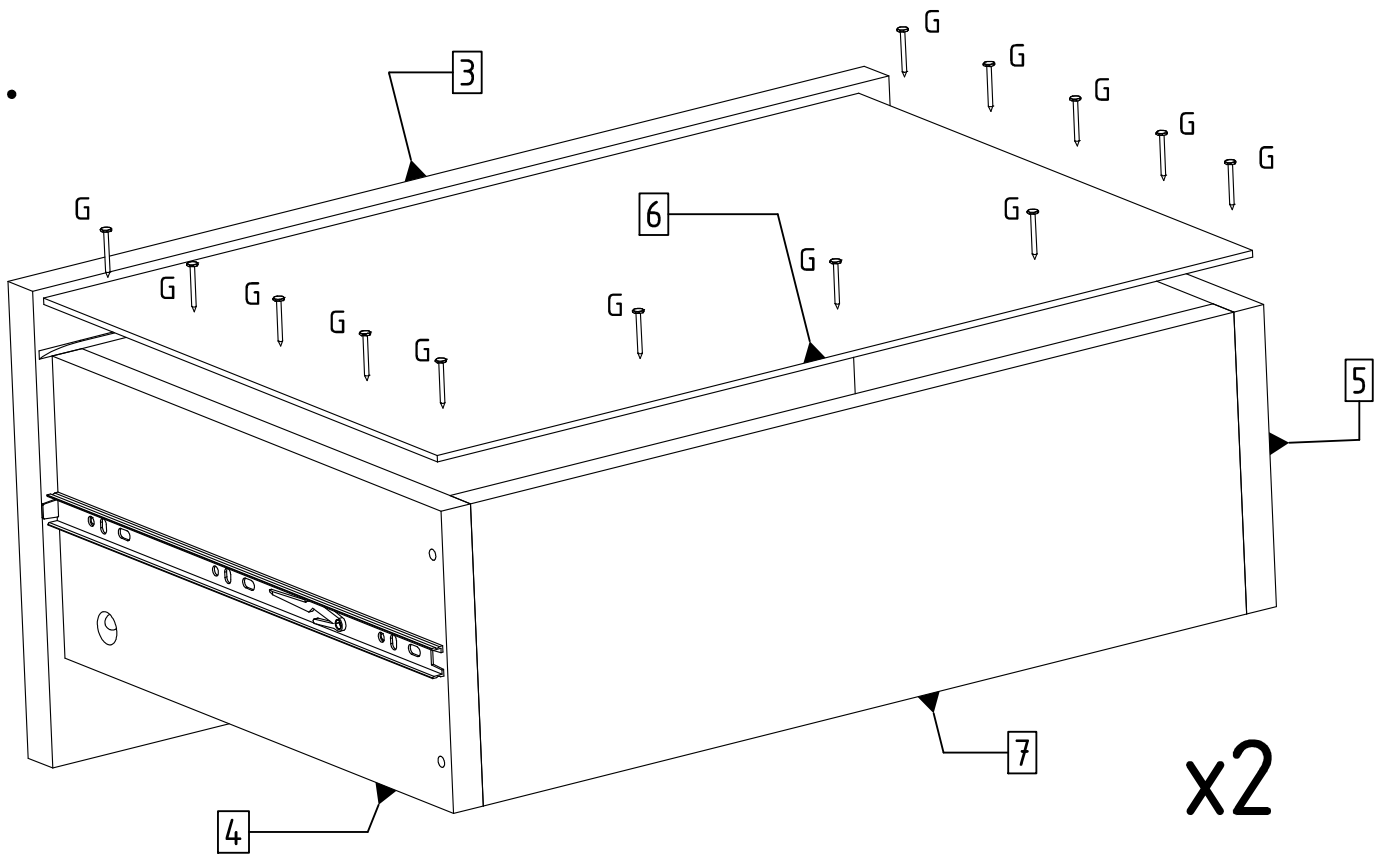
11.



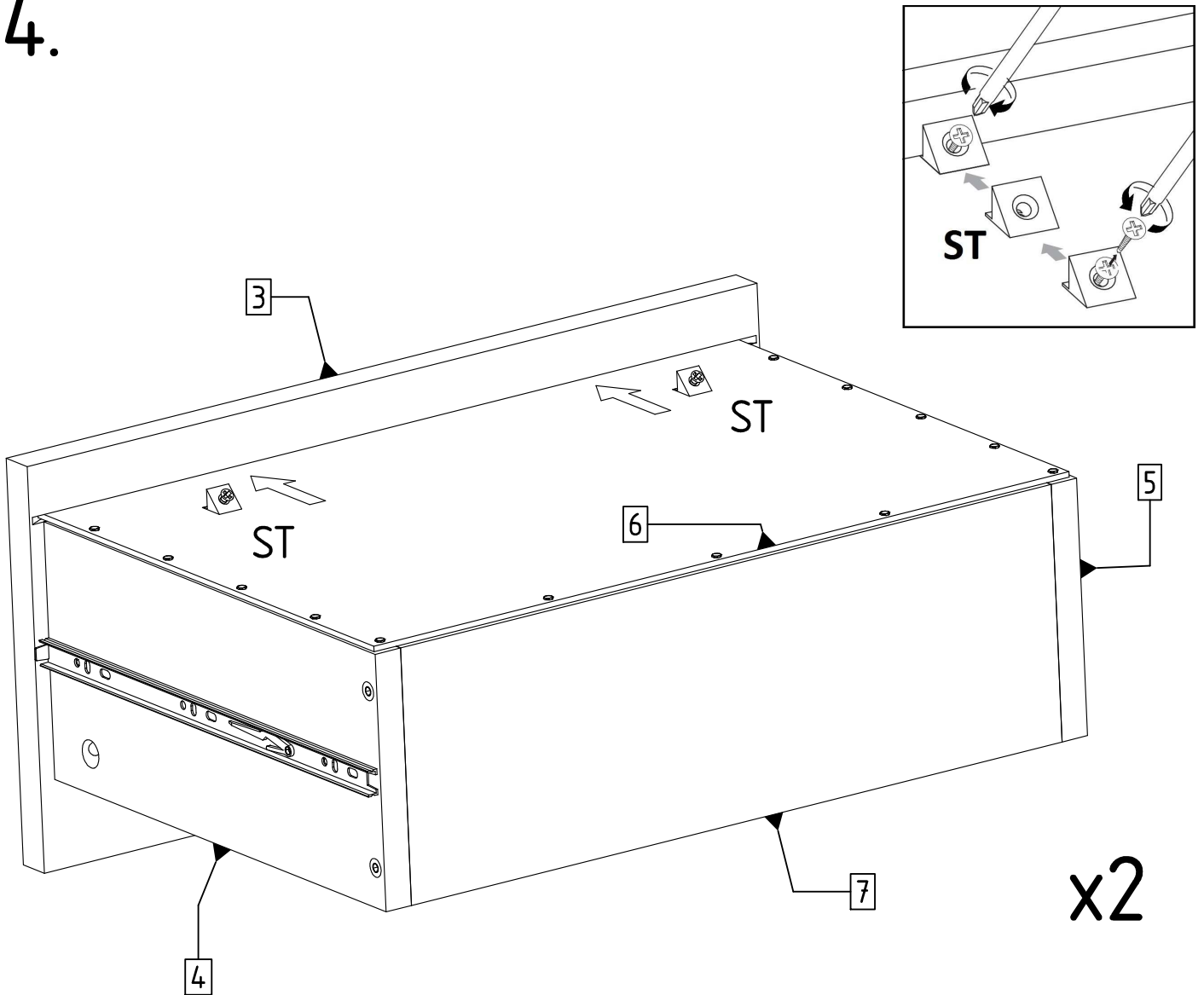
12.



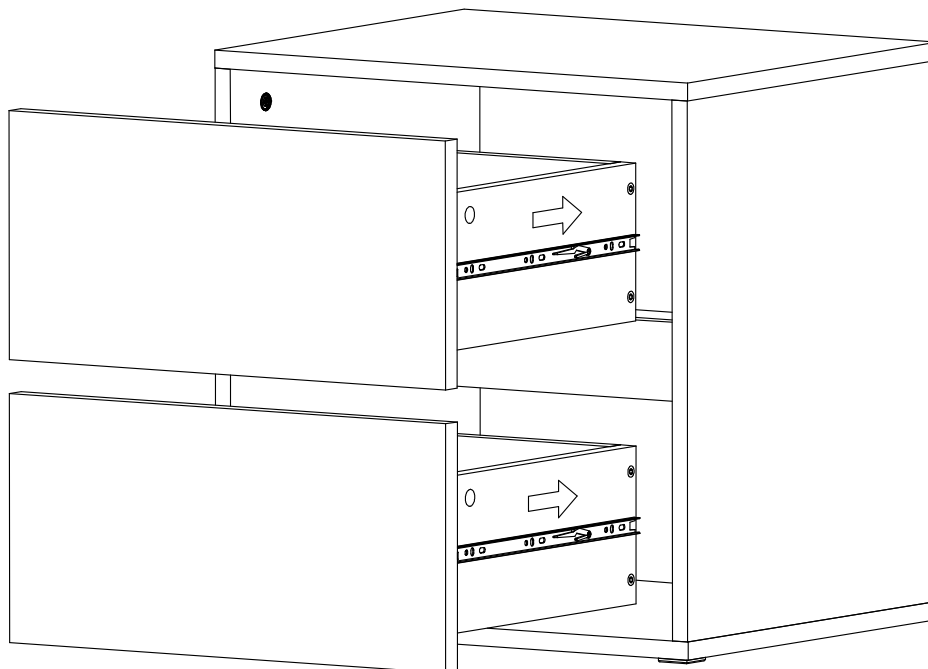
13.



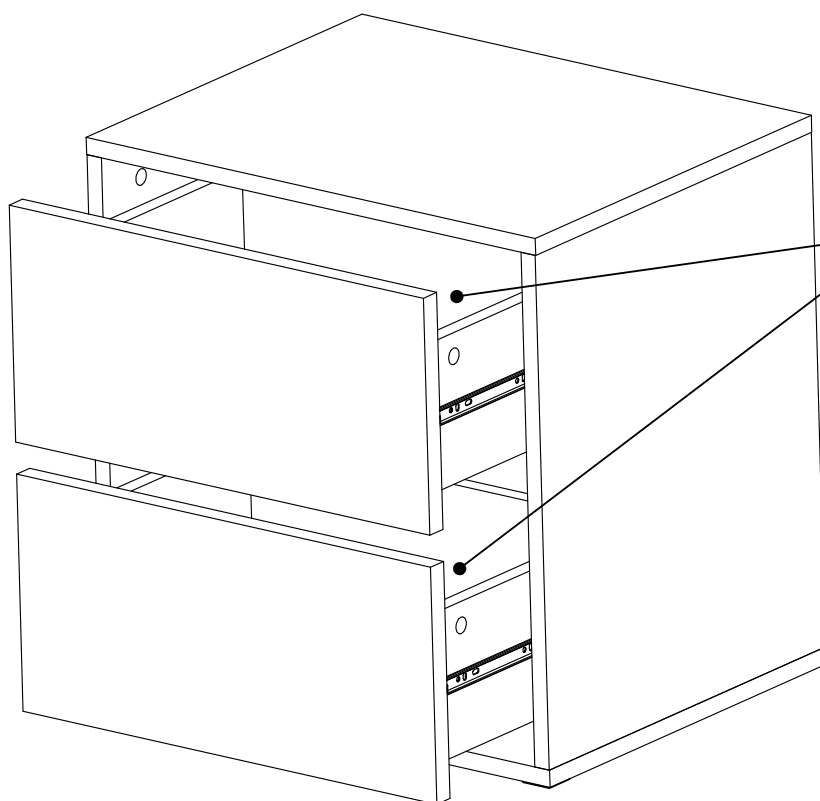
14.



15.



16.



max.
5kg

