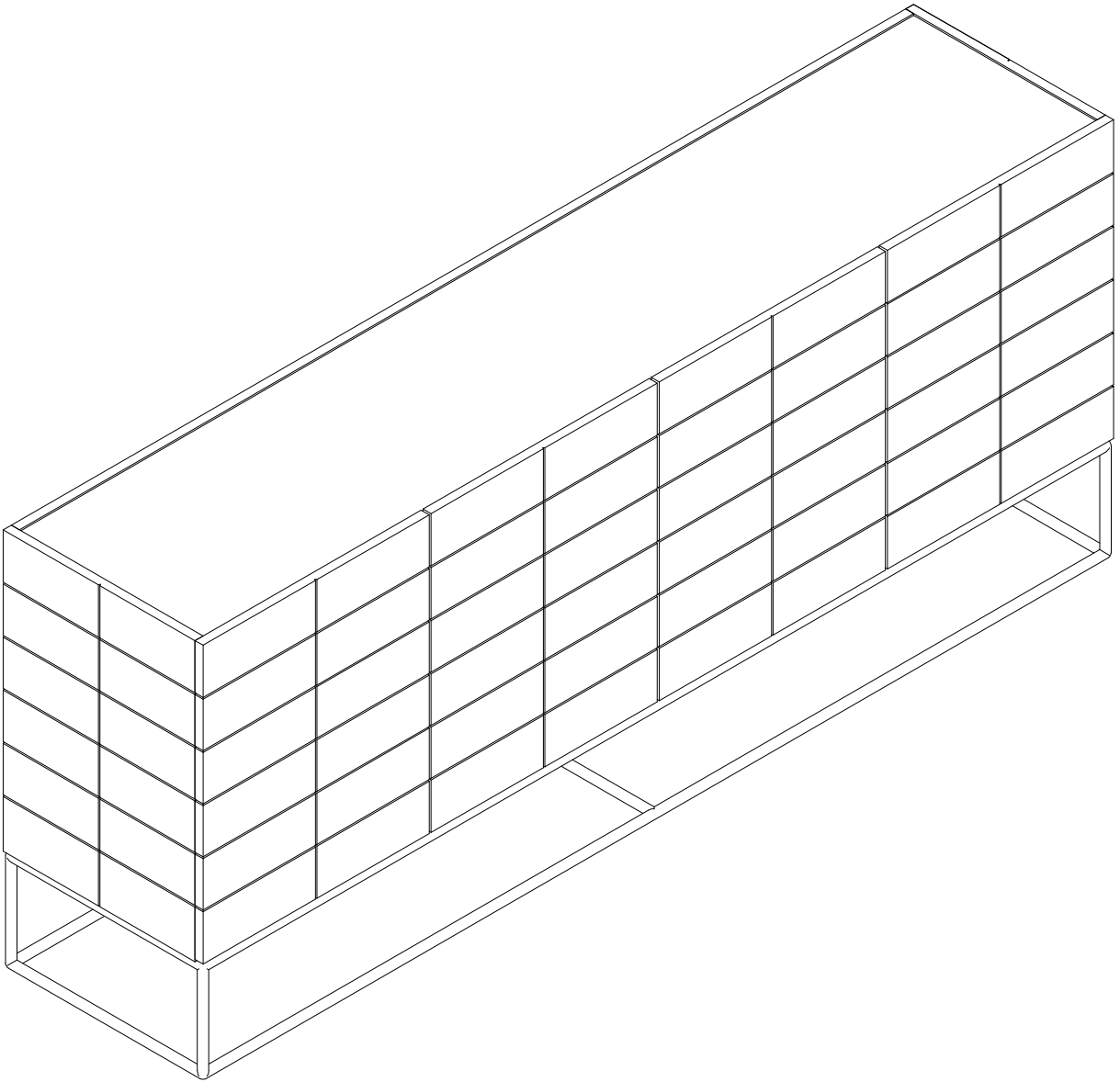
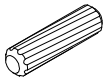
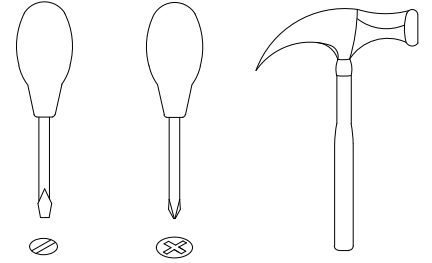
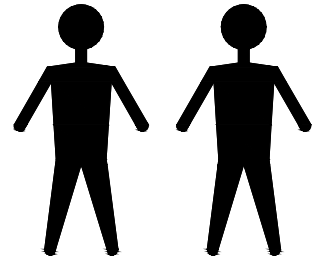


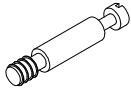
CP2021E



CP2021E



A x28
Spec: $\phi 8 \times 30$



B x20
Spec: $\phi 7 \times L30$



C x20
Spec: $\phi 15 \times H12$



D x16
Spec: $3.8 \times L16$



E x16
Spec: $\phi 3.5 \times L16$



F x16
Spec: H13



G x1
Spec: 10g



H x16
Spec:



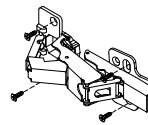
I x16
Spec: $3.8 \times L16$



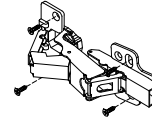
J x16
Spec: $\phi 5 \times L19$



K x16
Spec: $\phi 20 \times H12$



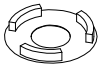
L x4
Spec: 068#



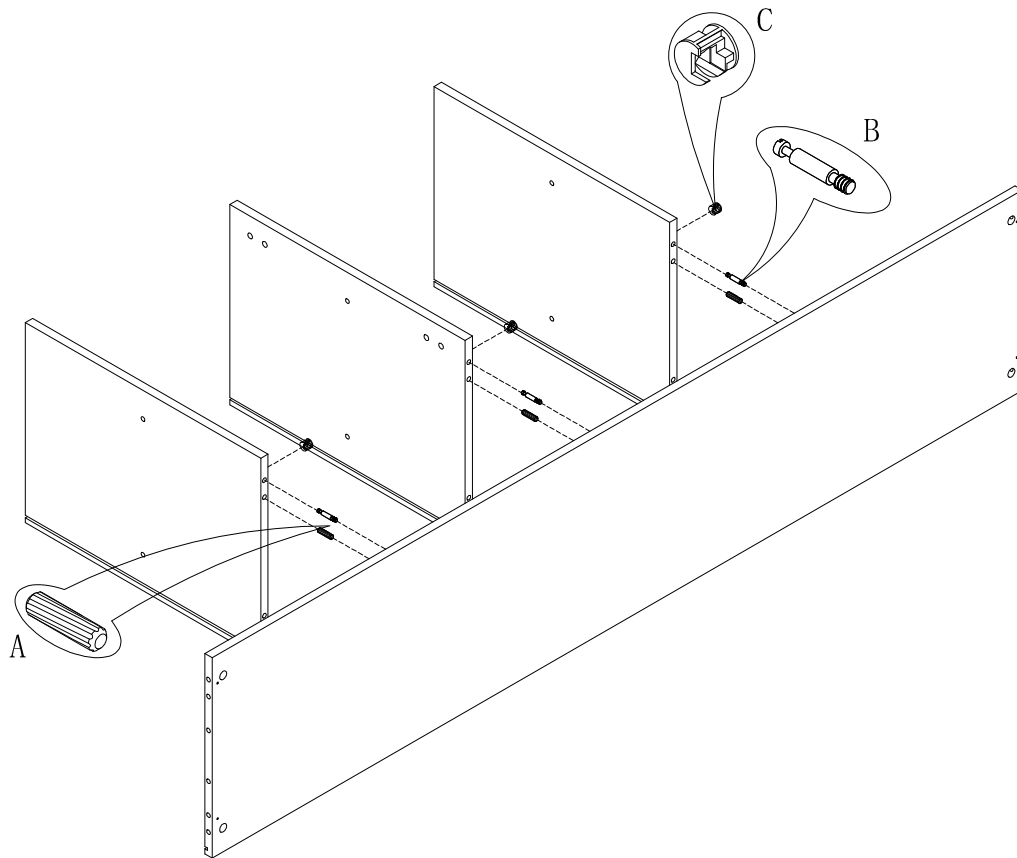
M x4
Spec: 078#



N x8
Spec: 30×5

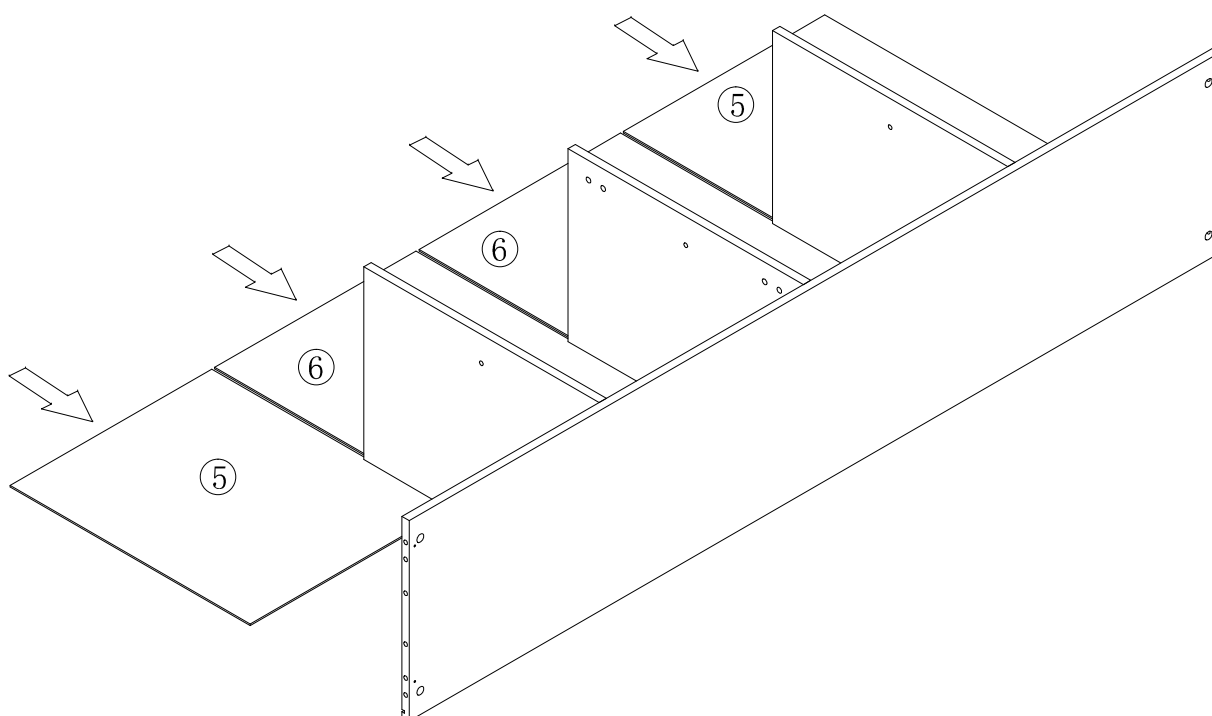


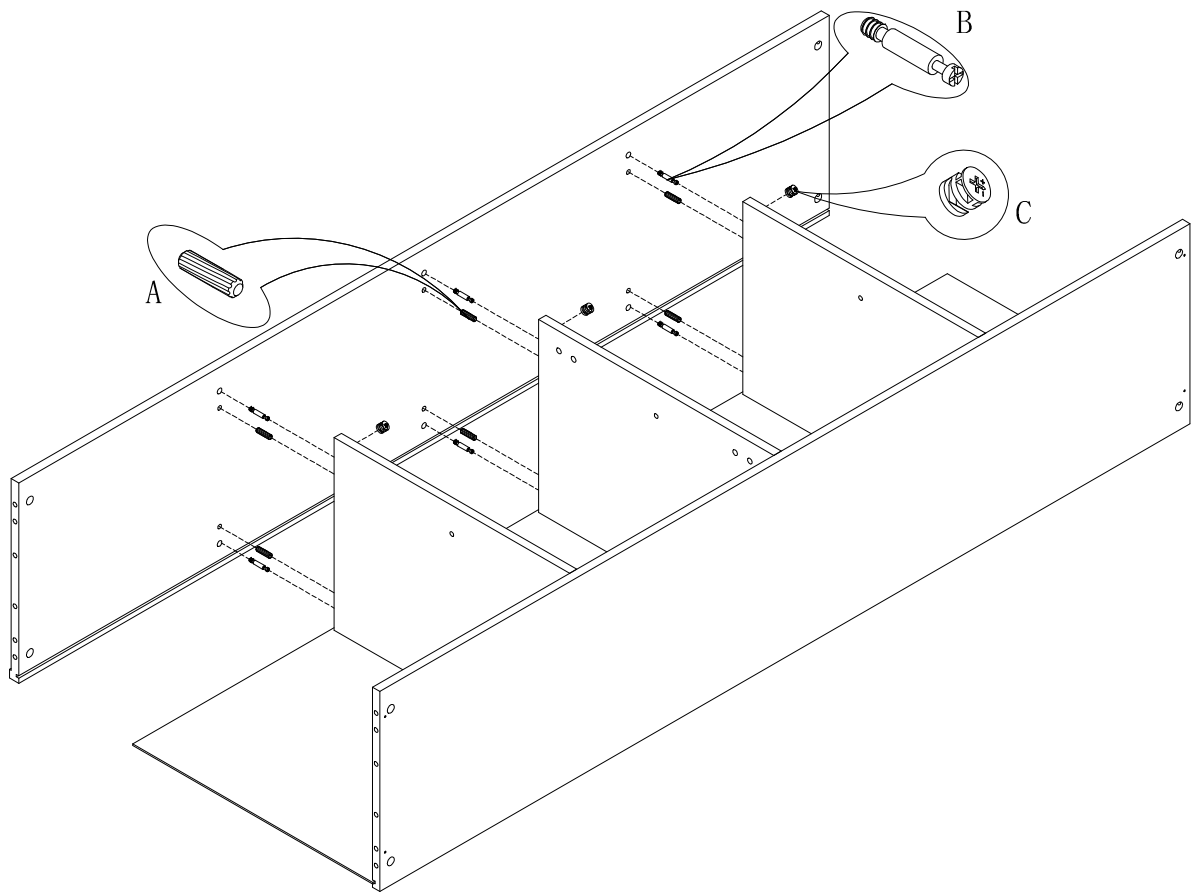
O x4
Spec:



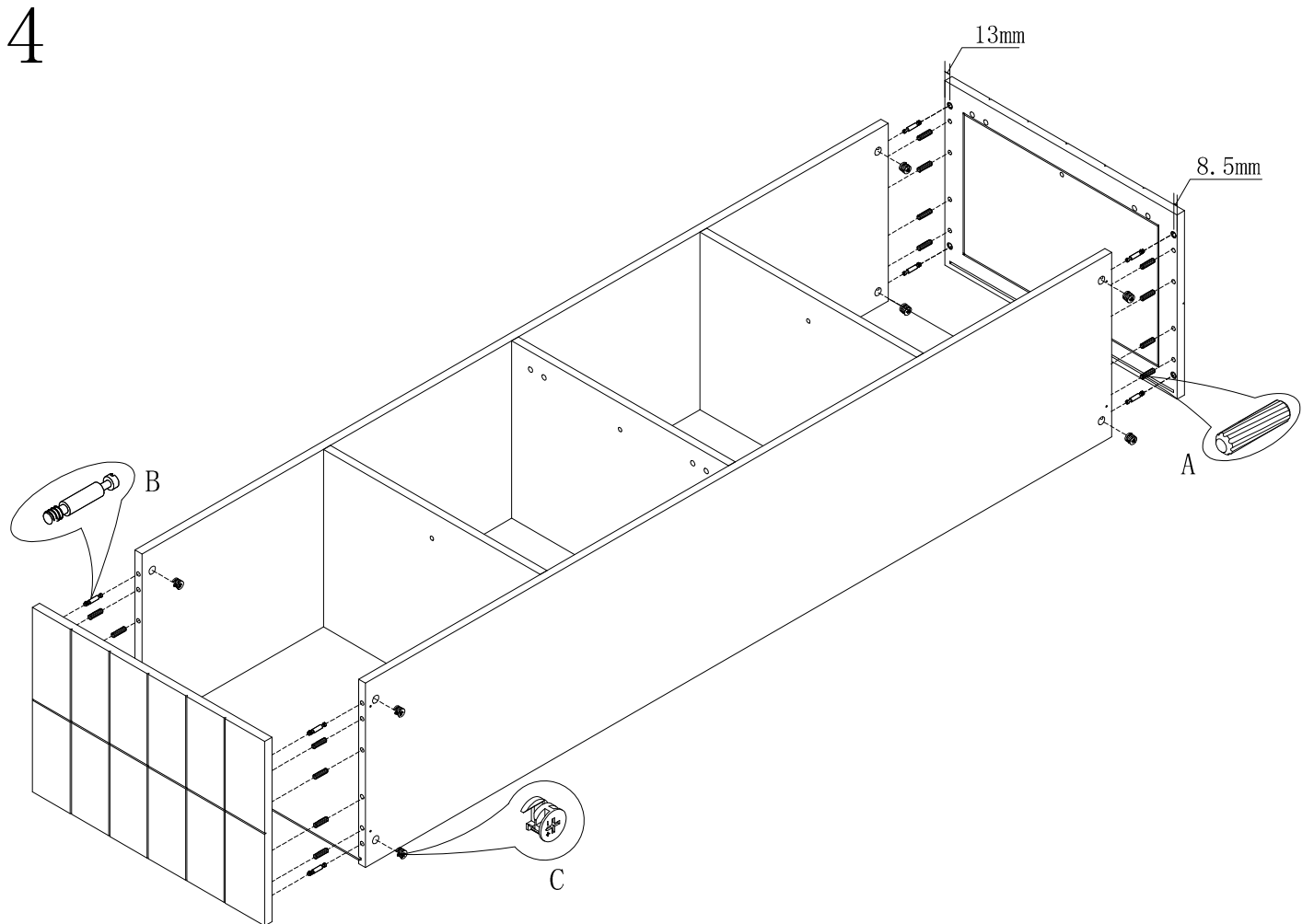
1

2

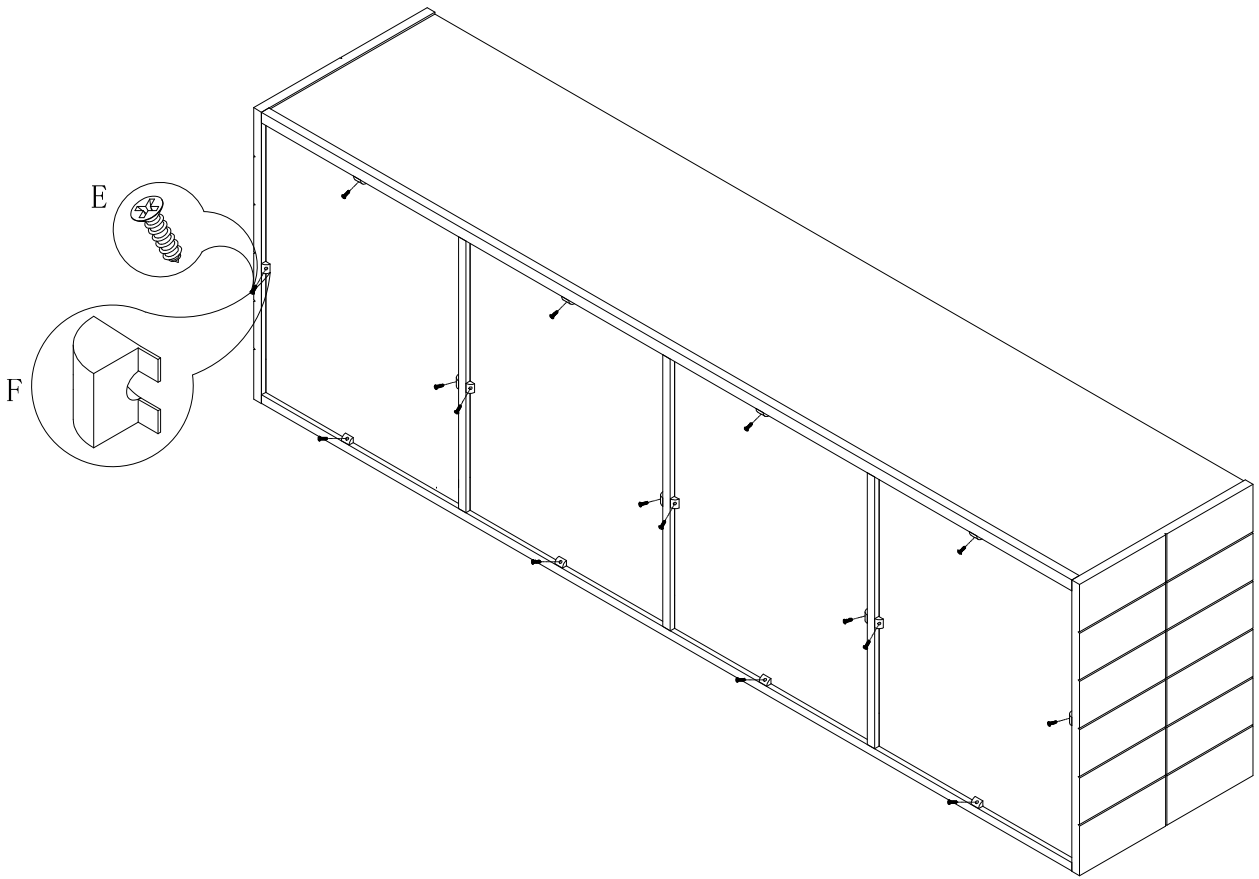




3

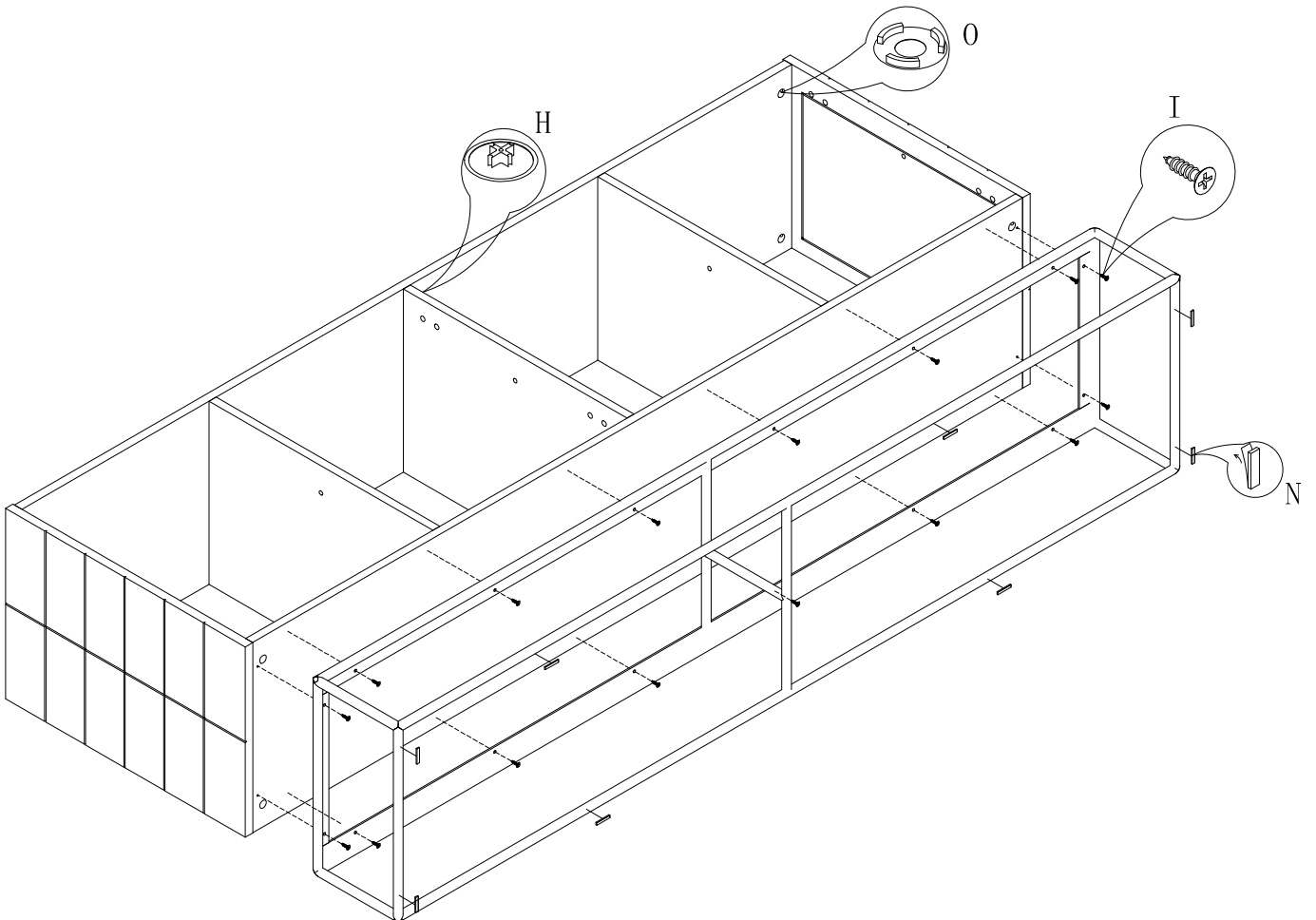


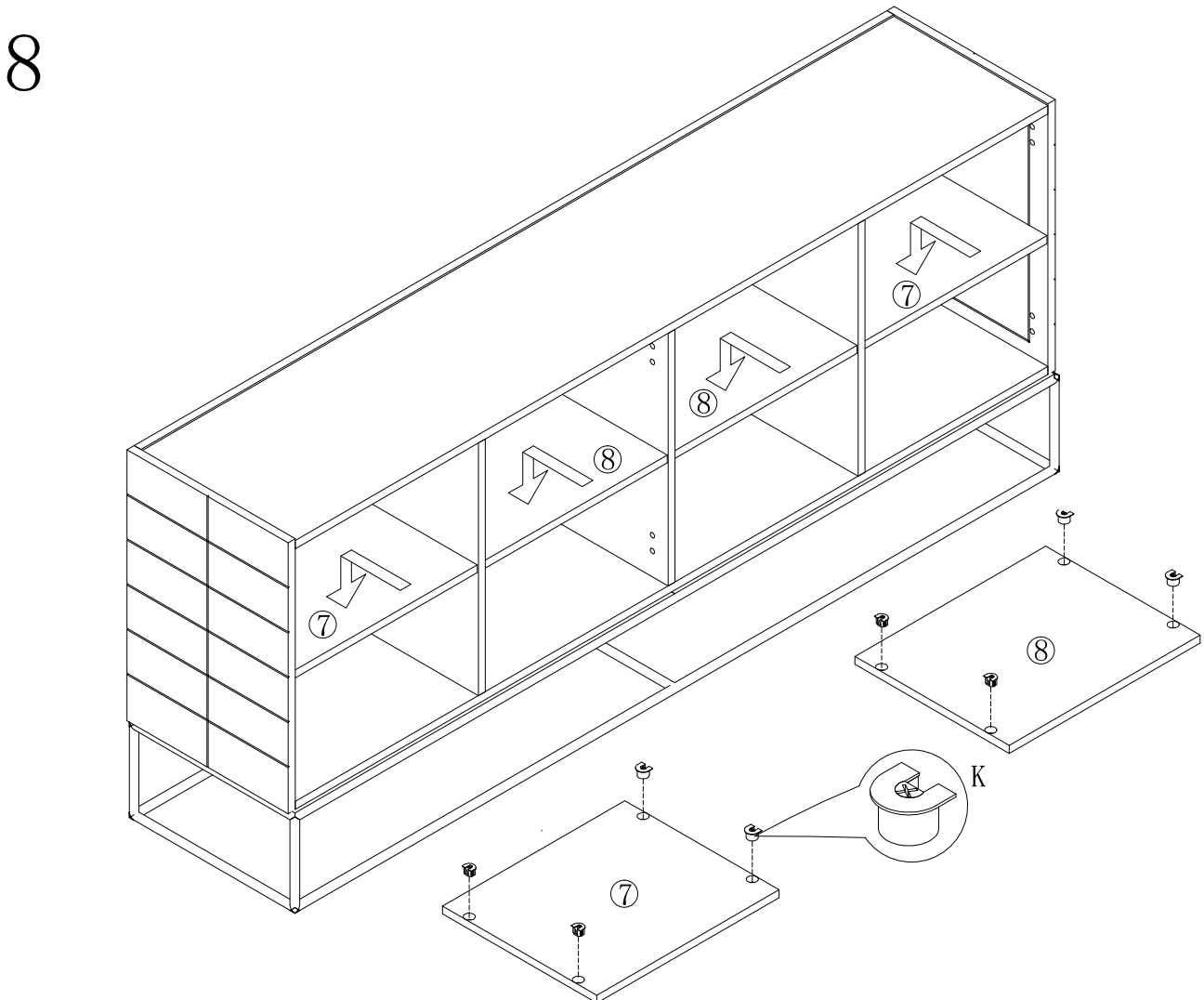
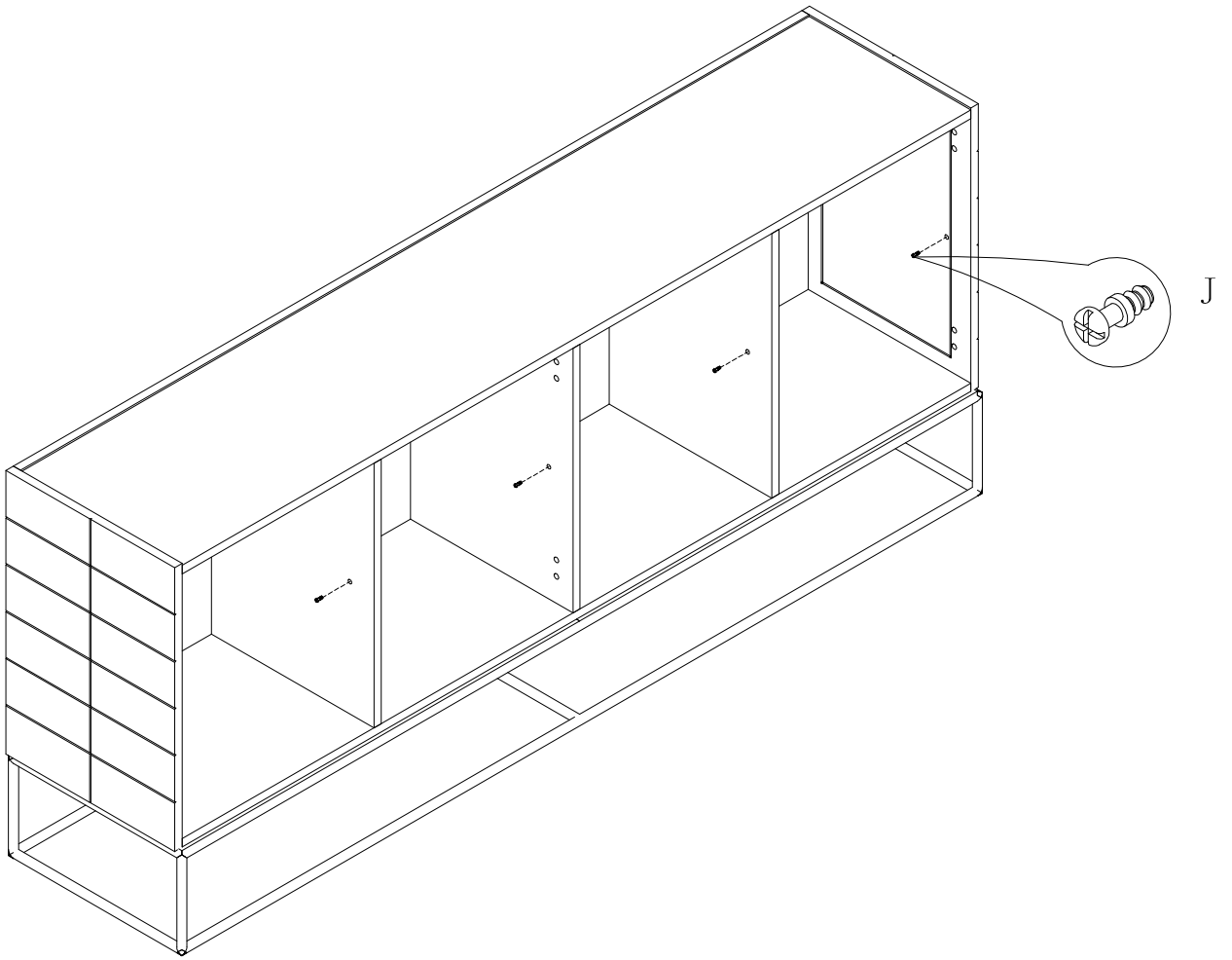
4

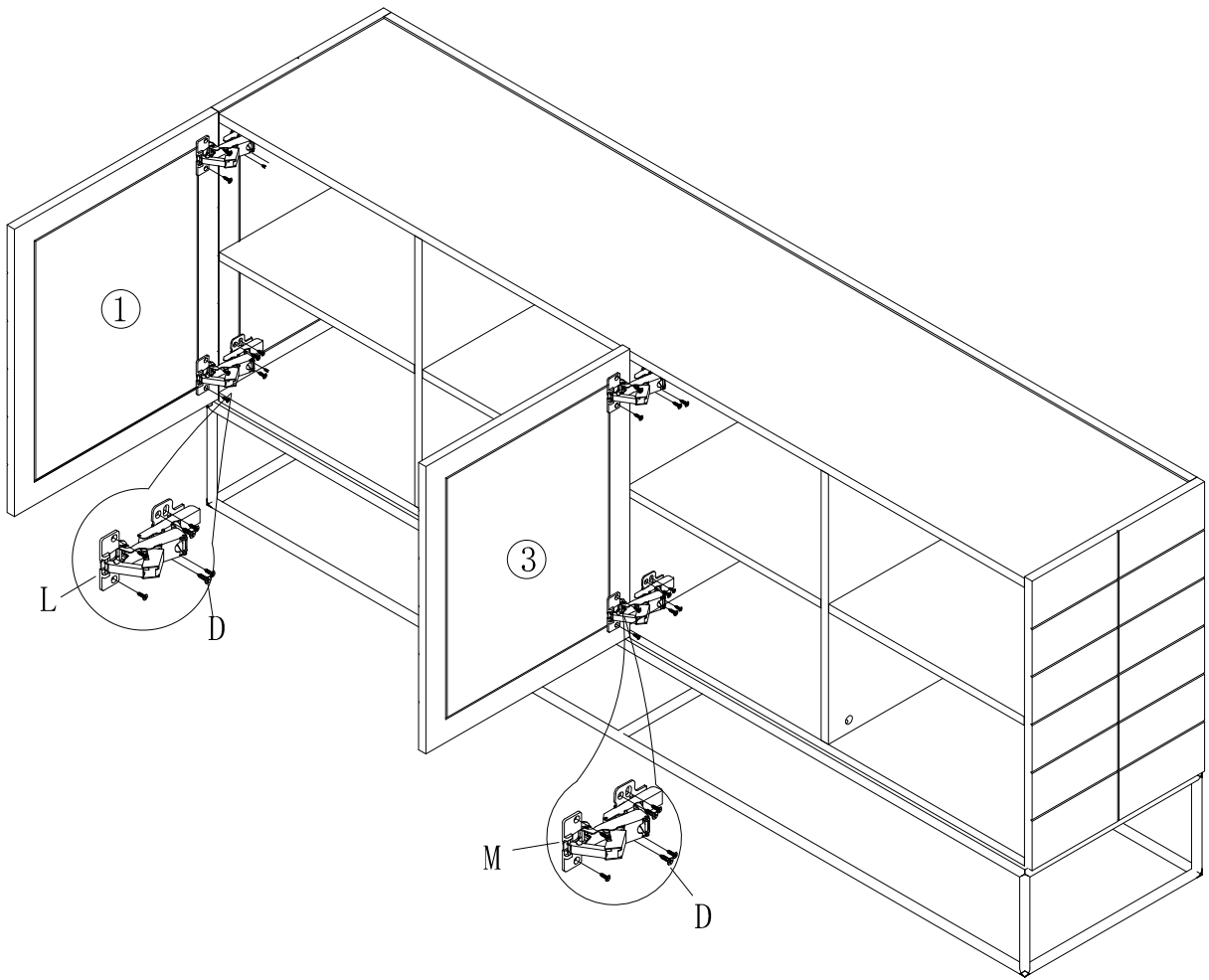


5

6







9

10

