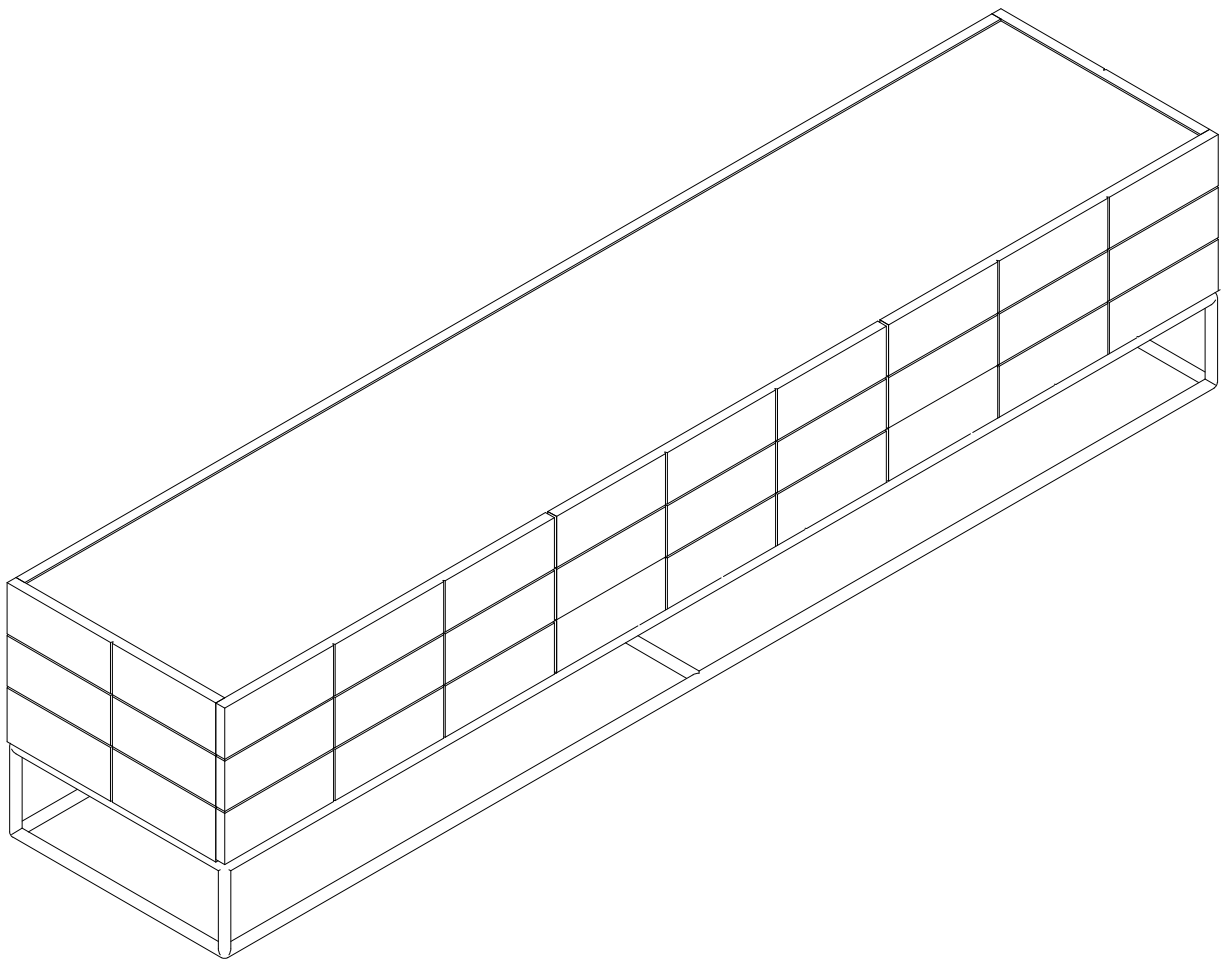
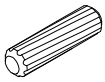
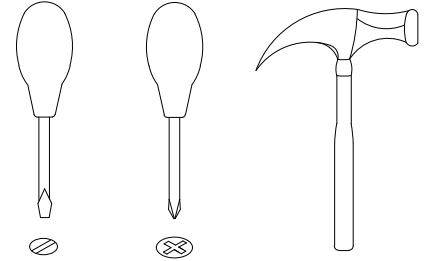
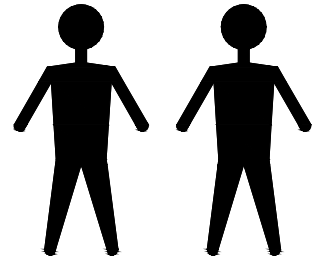


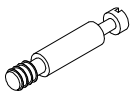
CP2021TV-180



CP2021TV-180



A x24
Spec: $\phi 8 \times 30$



B x16
Spec: $\phi 7 \times L30$



C x16
Spec: $\phi 15 \times H12$



D x12
Spec: $\phi 6 \times L28$



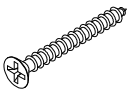
E x12
Spec: $\phi 12 \times H9$



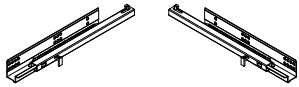
F x18
Spec: $\phi 6 \times L8$



G x12
Spec: $\phi 6 \times 30$



H x12
Spec: $\phi 3.5 \times L35$



I x3
Spec: L350



J x16
Spec: $3.8 \times L16$



K x12
Spec: $\phi 3.5 \times L16$



L x12
Spec: H13



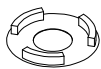
M x1
Spec: 10g



N x24
Spec:



O x8
Spec: 30×5

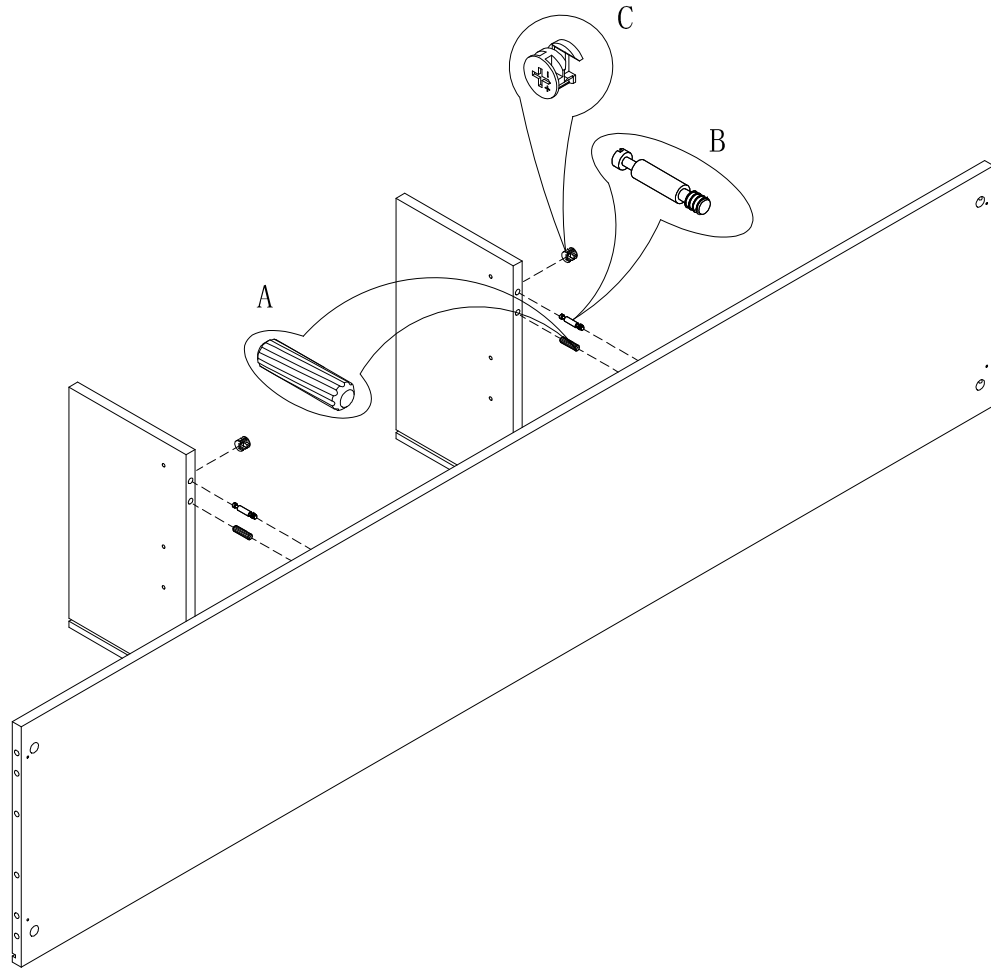


P x4
Spec:

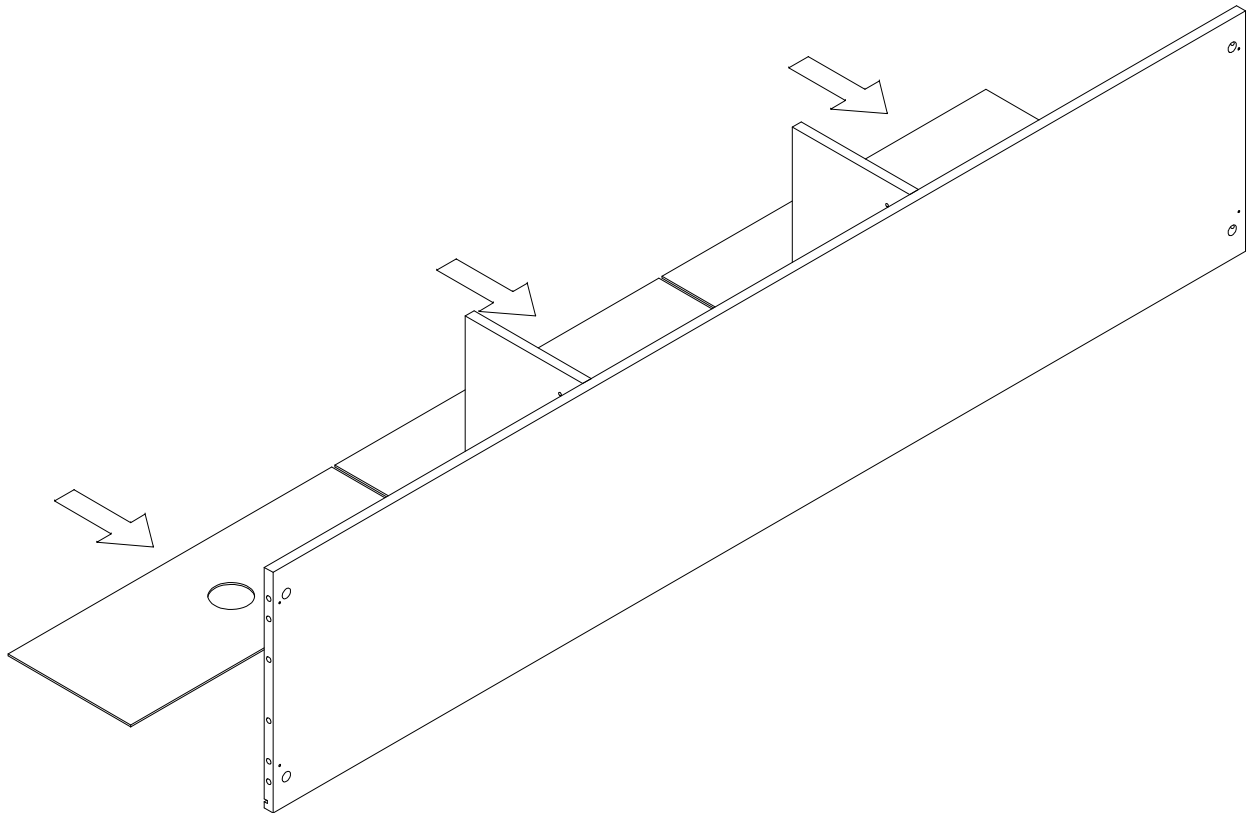


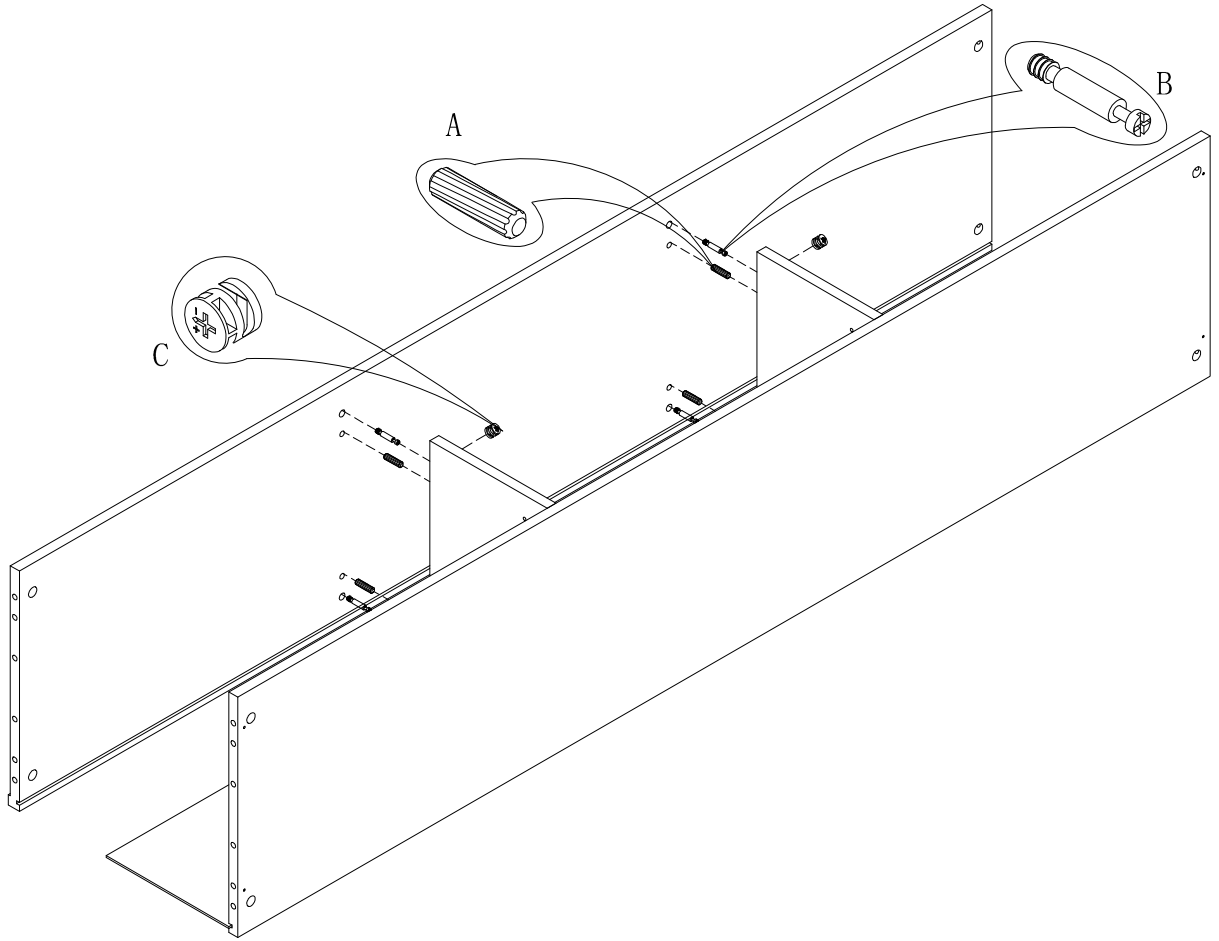
AAA x12
Spec: $\phi 3.8 \times L12$

1



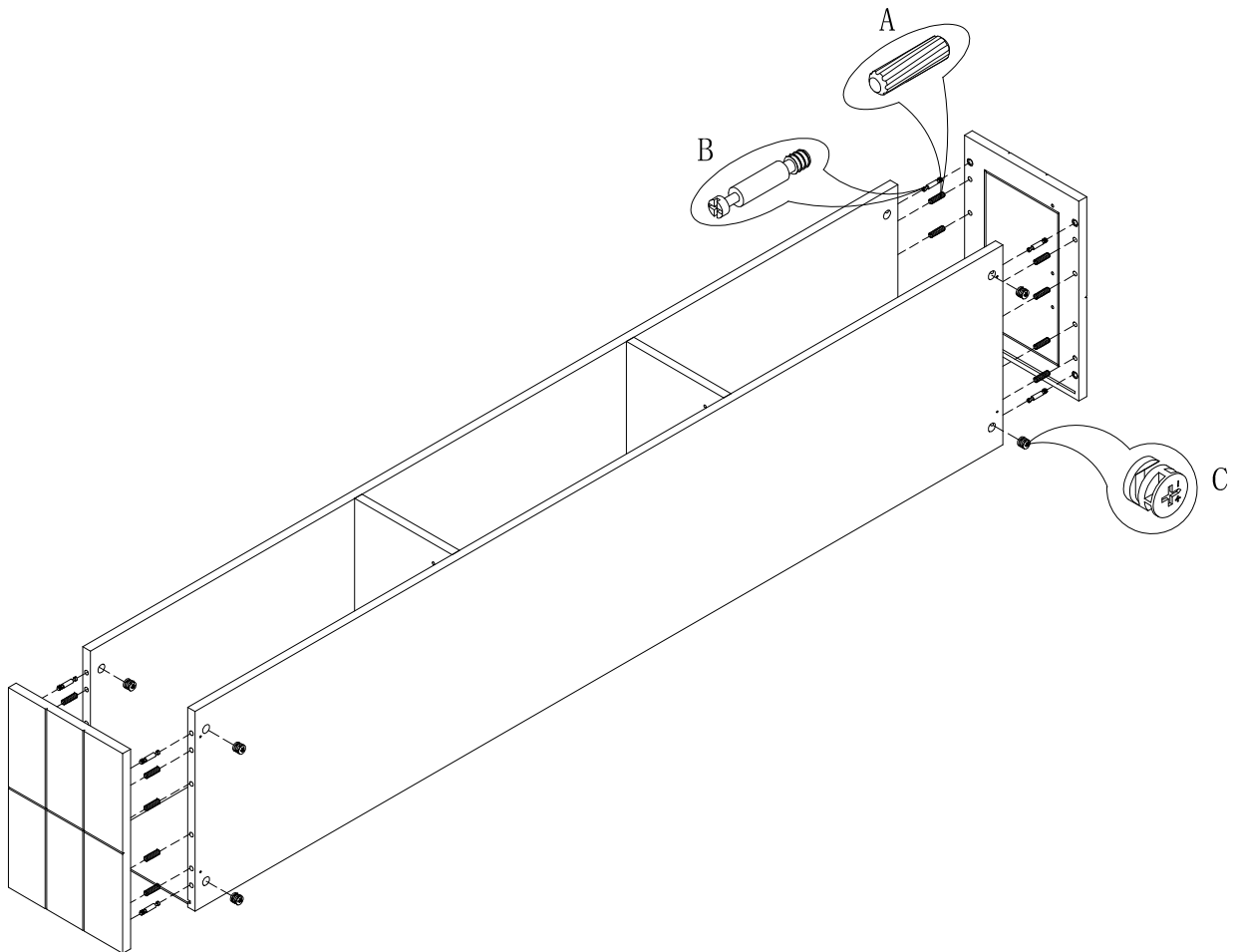
2

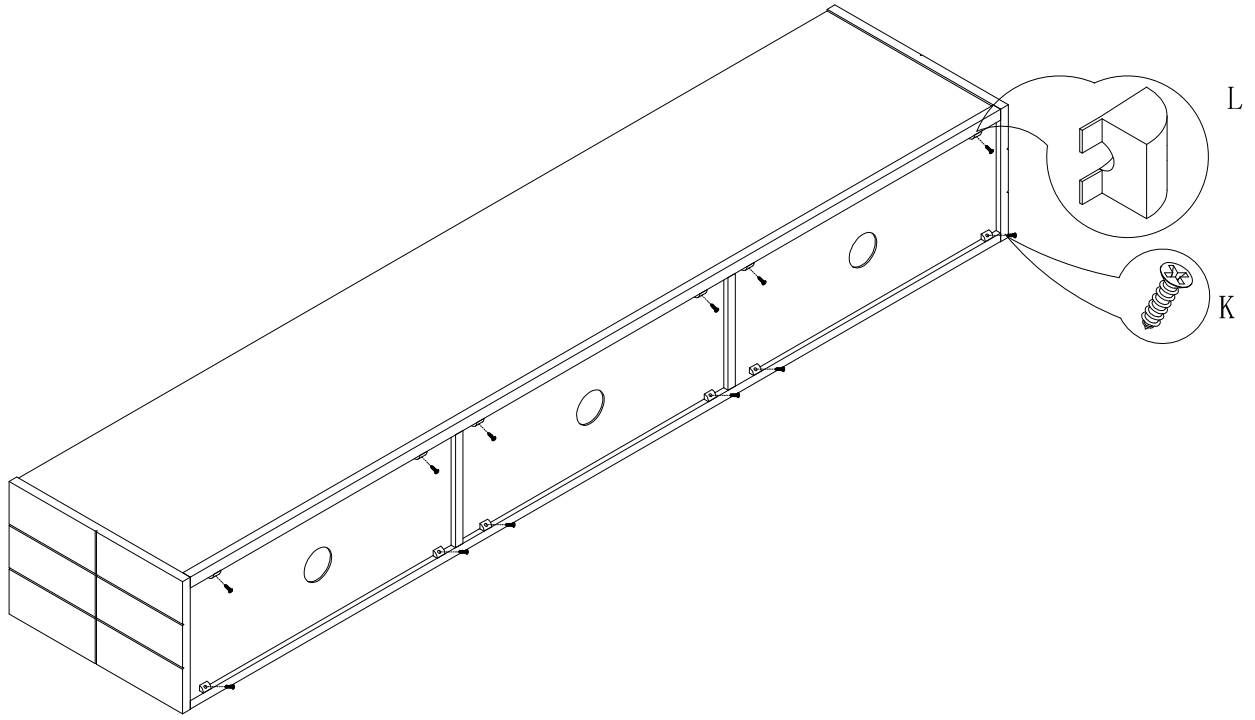




3

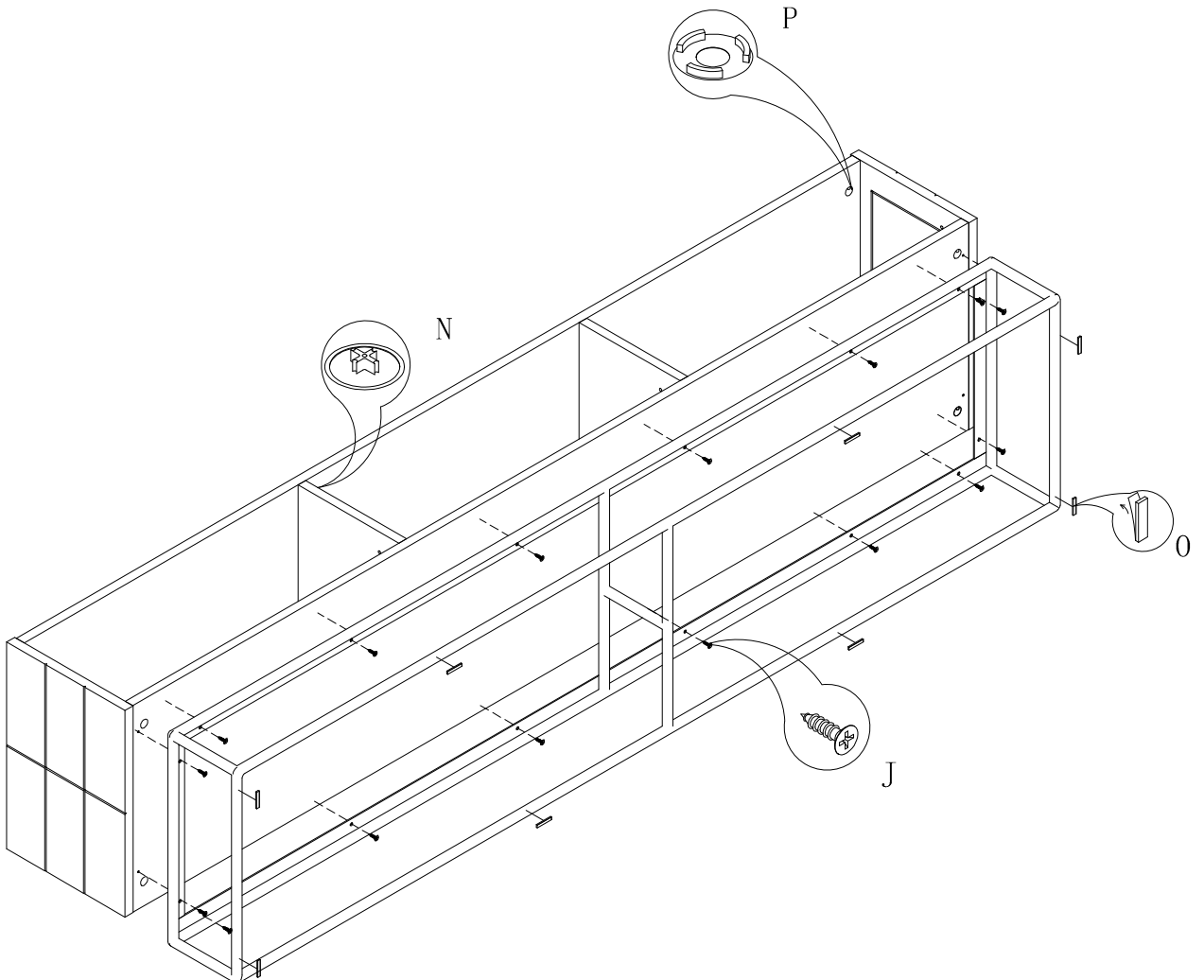
4

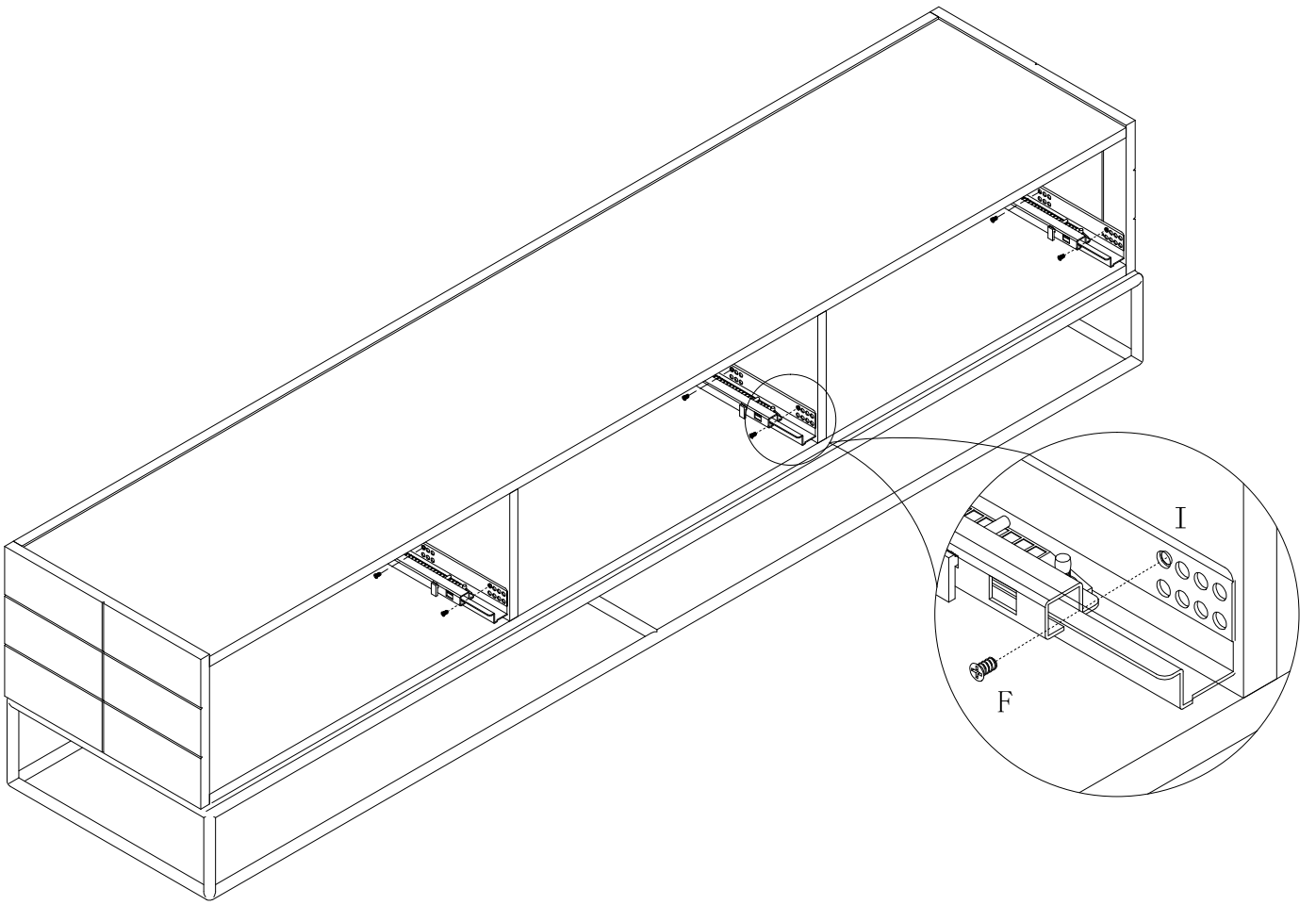




5

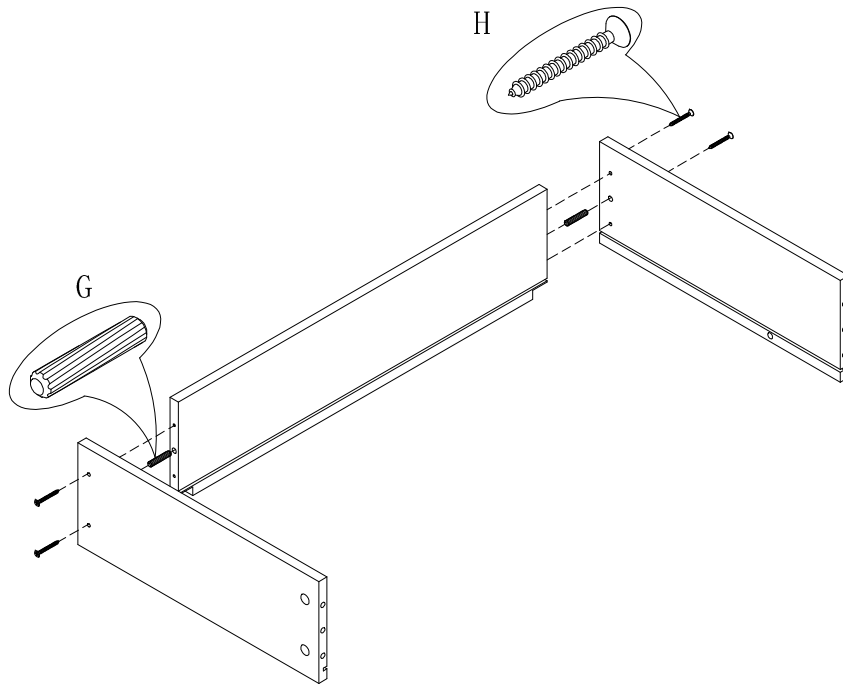
6

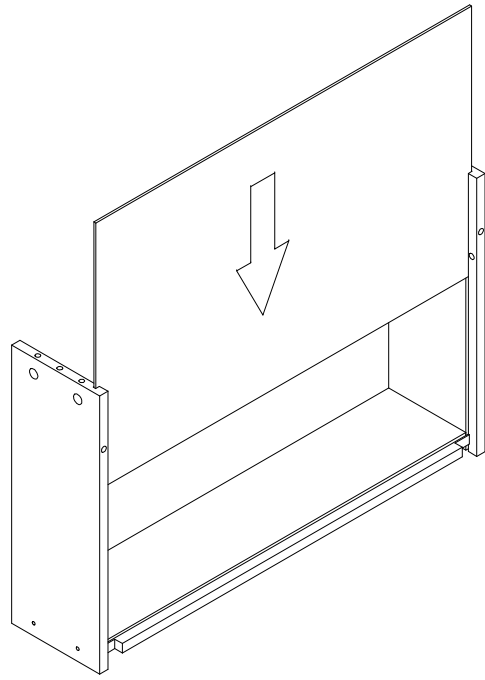




7

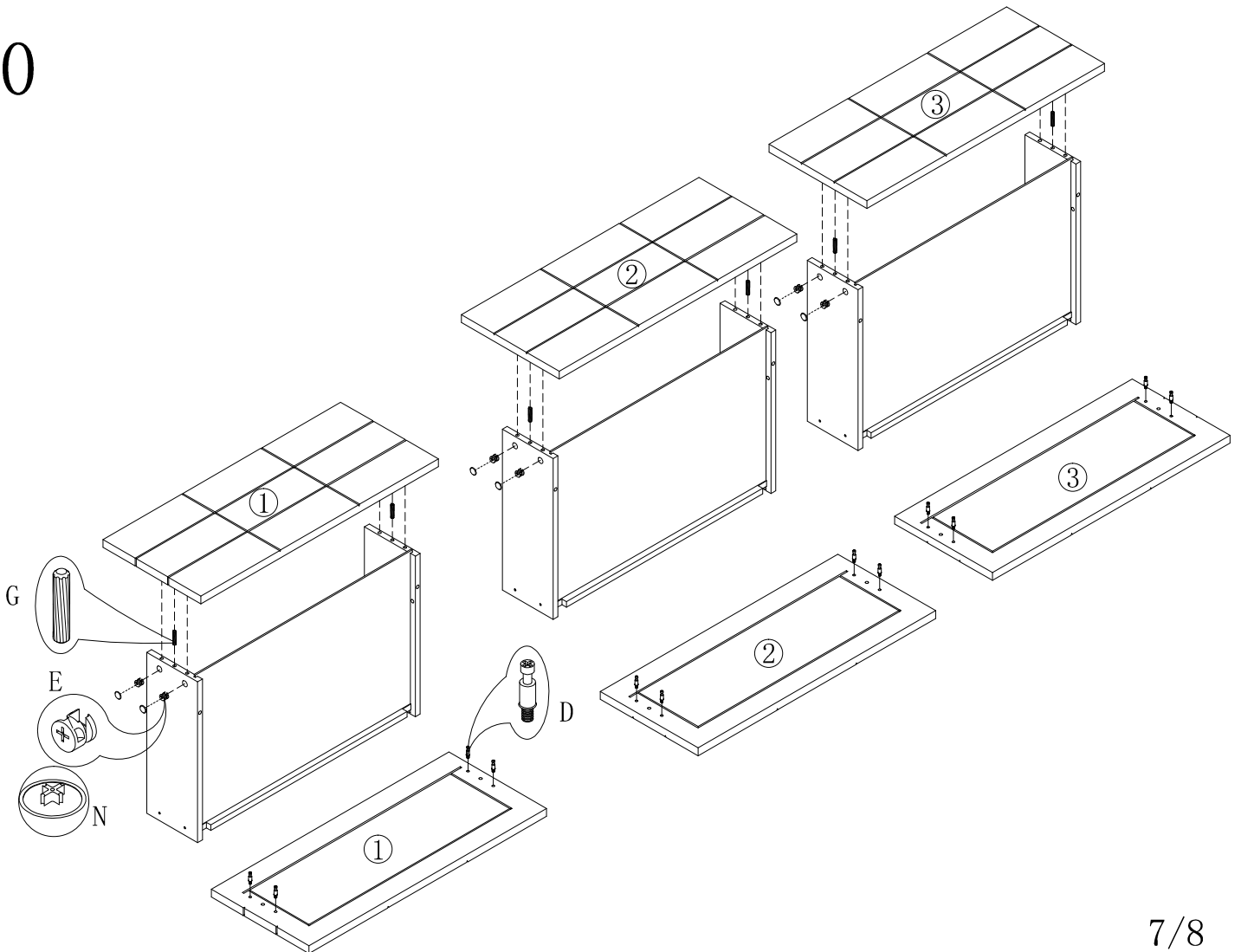
8

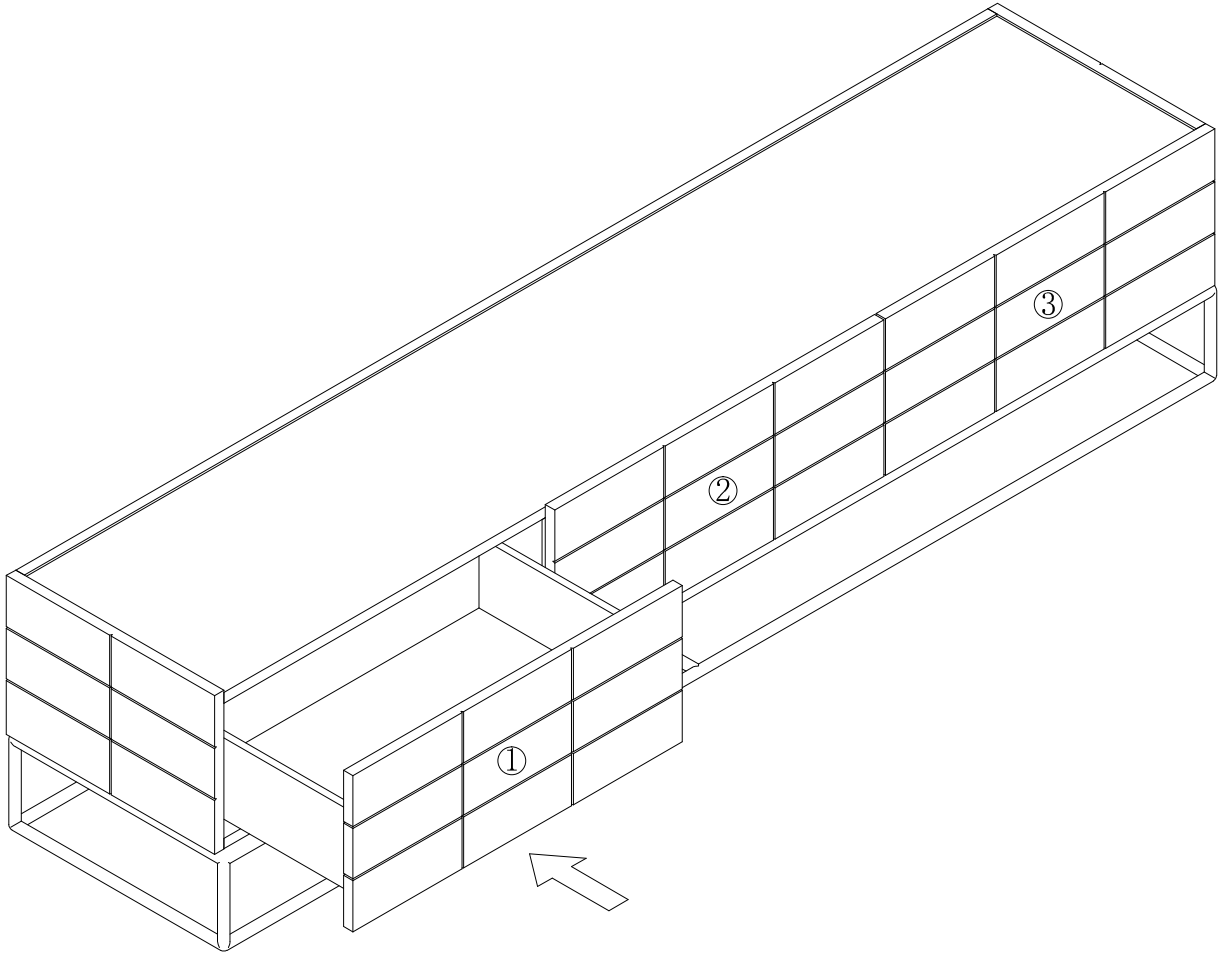




9

10





11