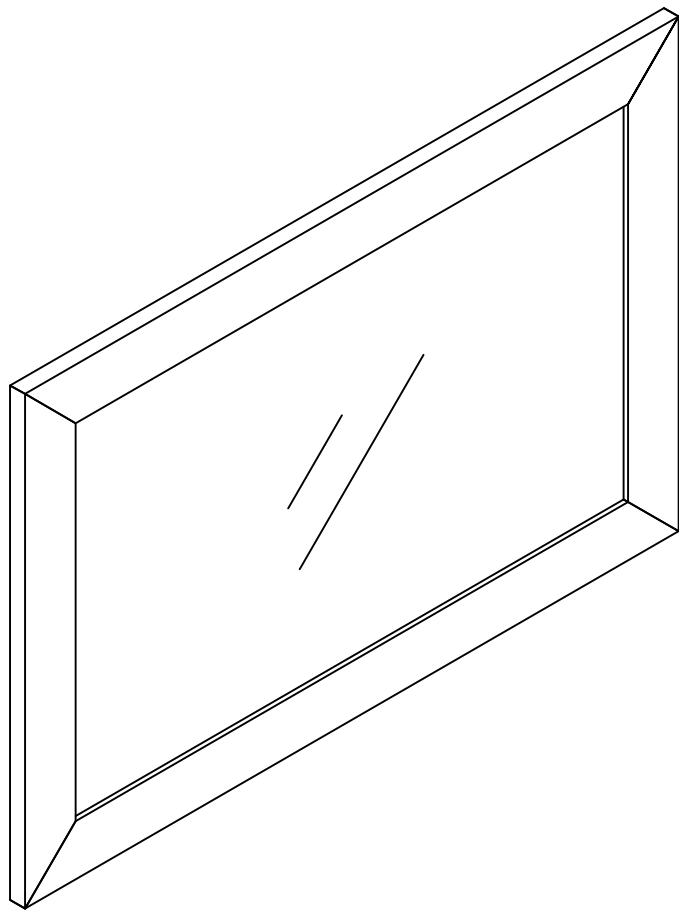
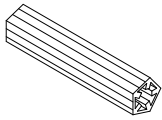
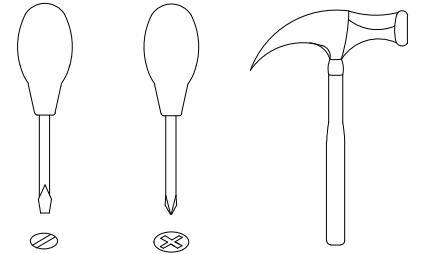
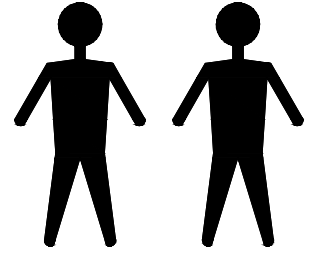


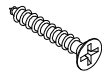
CPMR08-AS



CPMR08-AS



A x2
Spec:



B x2
Spec: ϕ 3.5*L32

