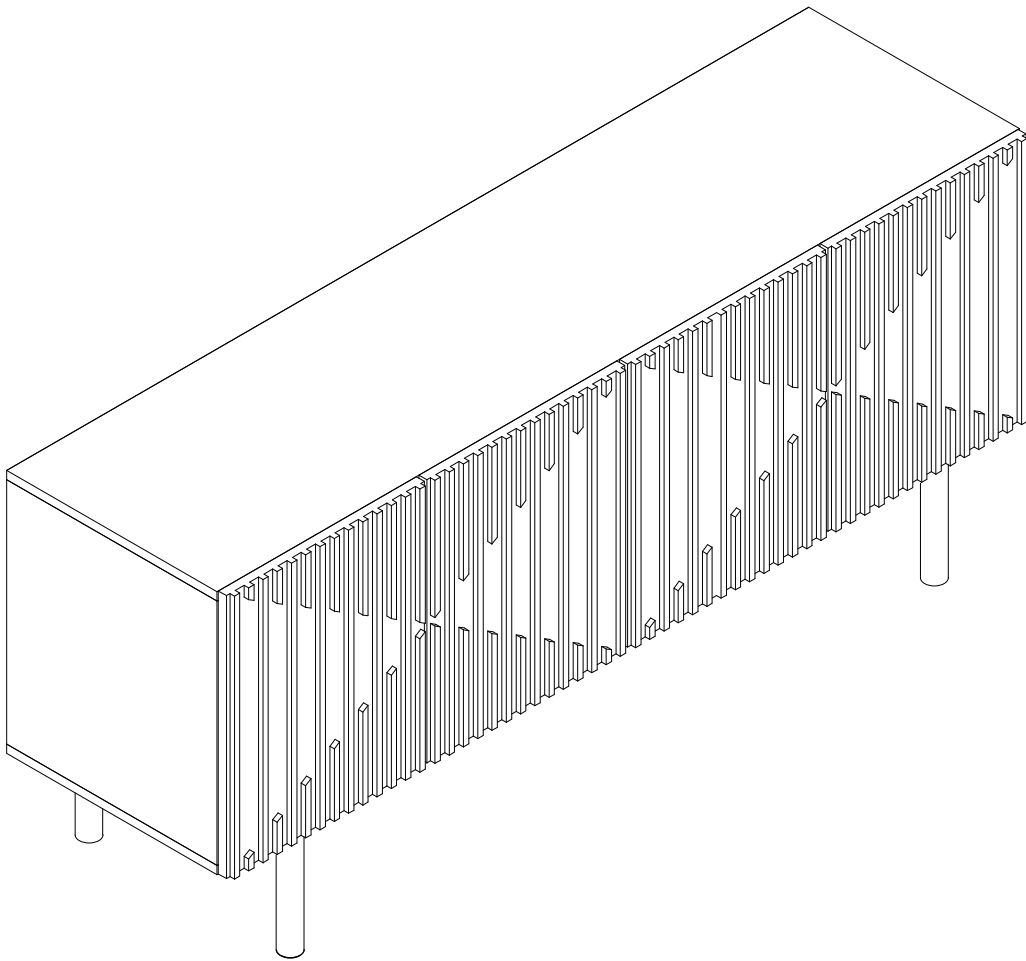
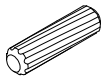
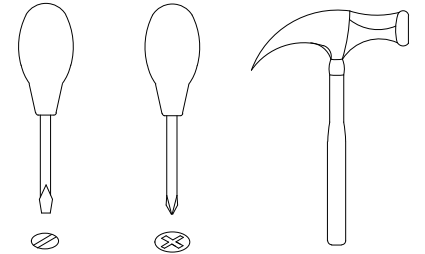
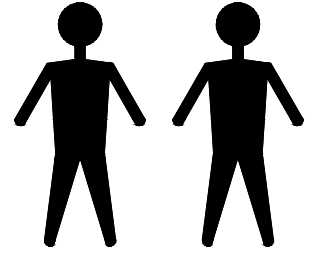


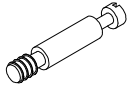
CPM5395-A



CPM5395-A



A x12
Spec: $\phi 8 \times 30$



B x12
Spec: $\phi 7 \times L30$



C x12
Spec: $\phi 15 \times H12$



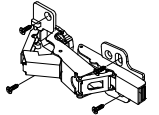
D x8
Spec: $\phi 5 \times L19$



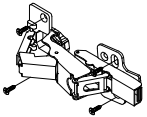
F x8
Spec: $\phi 20 \times H12$



H x1
Spec: 10g



I x4
Spec: 068#



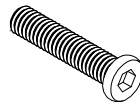
J x4
Spec: 078#



K x16
Spec: $3.8 \times L16$



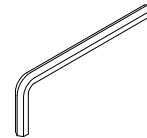
L x12
Spec:



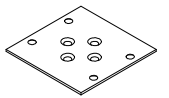
M x8
Spec: $5/16 \times L60$



N x8
Spec: $\phi 8 \times \phi 14$



O x1
Spec: 5#



P x1
Spec: $78 \times 78 \times 1.8$



Q x4
Spec: $\phi 3.5 \times L20$



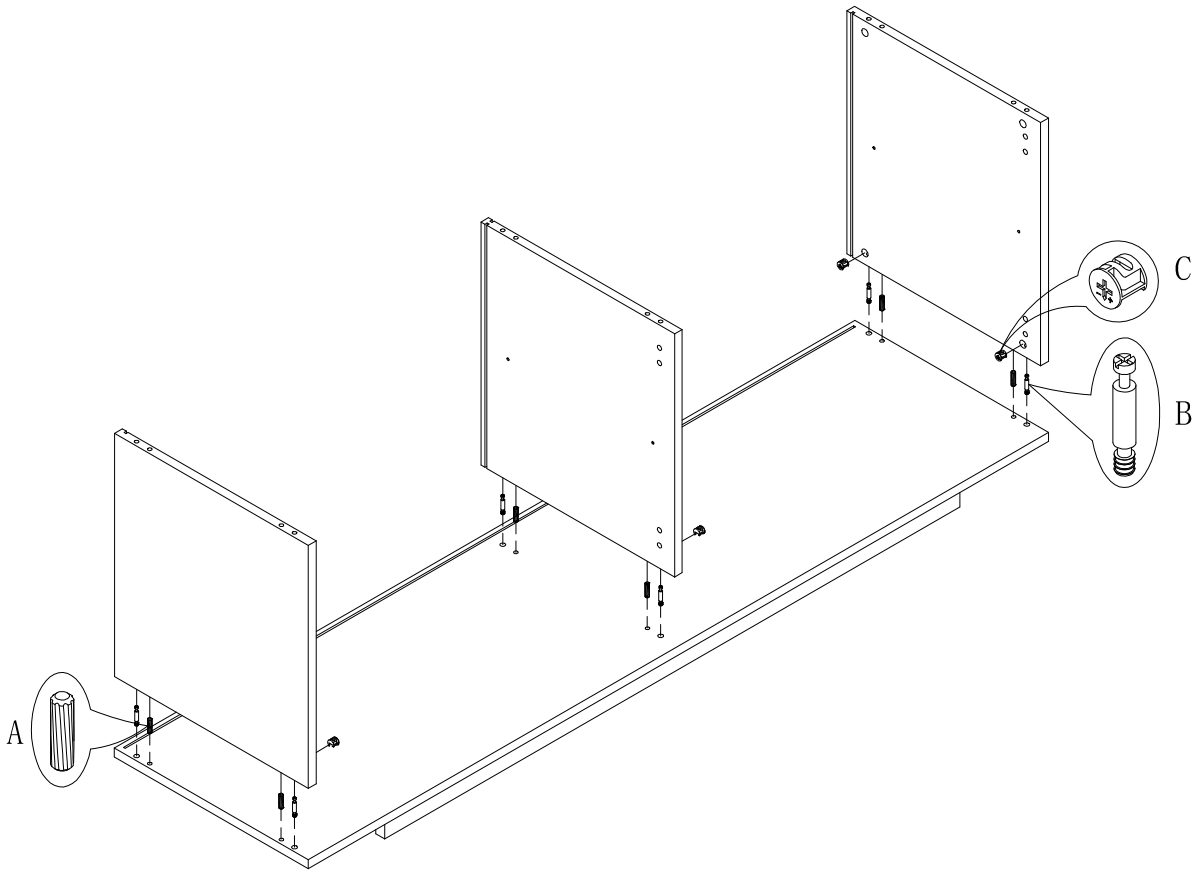
R x4
Spec: $\phi 4 \times L16$



S x12
Spec: $\phi 3.5 \times L16$

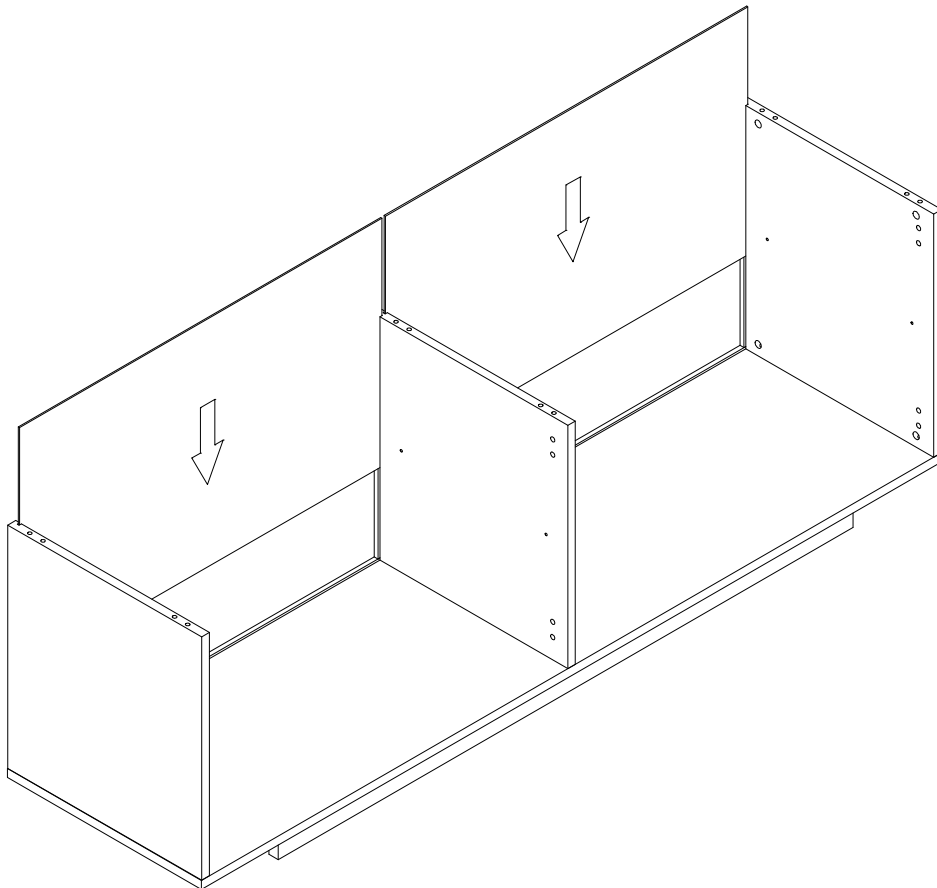


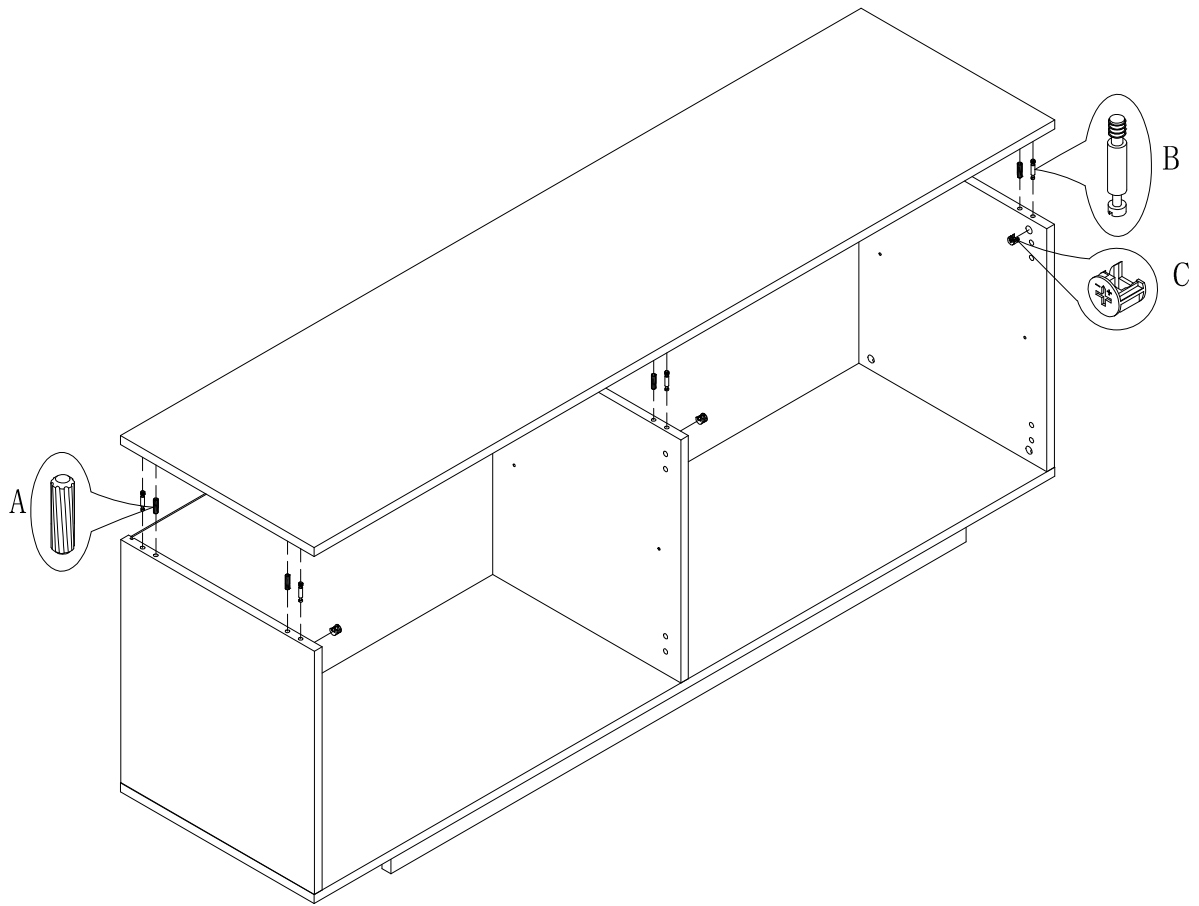
T x12
Spec: H13



1

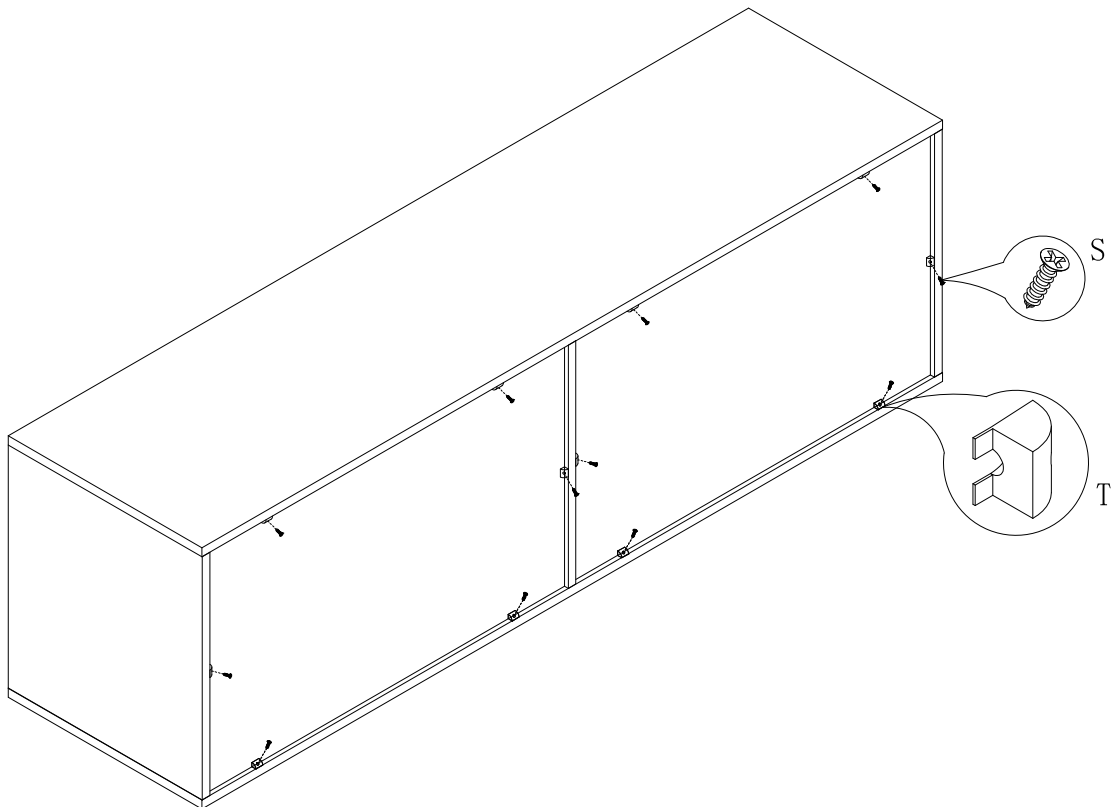
2

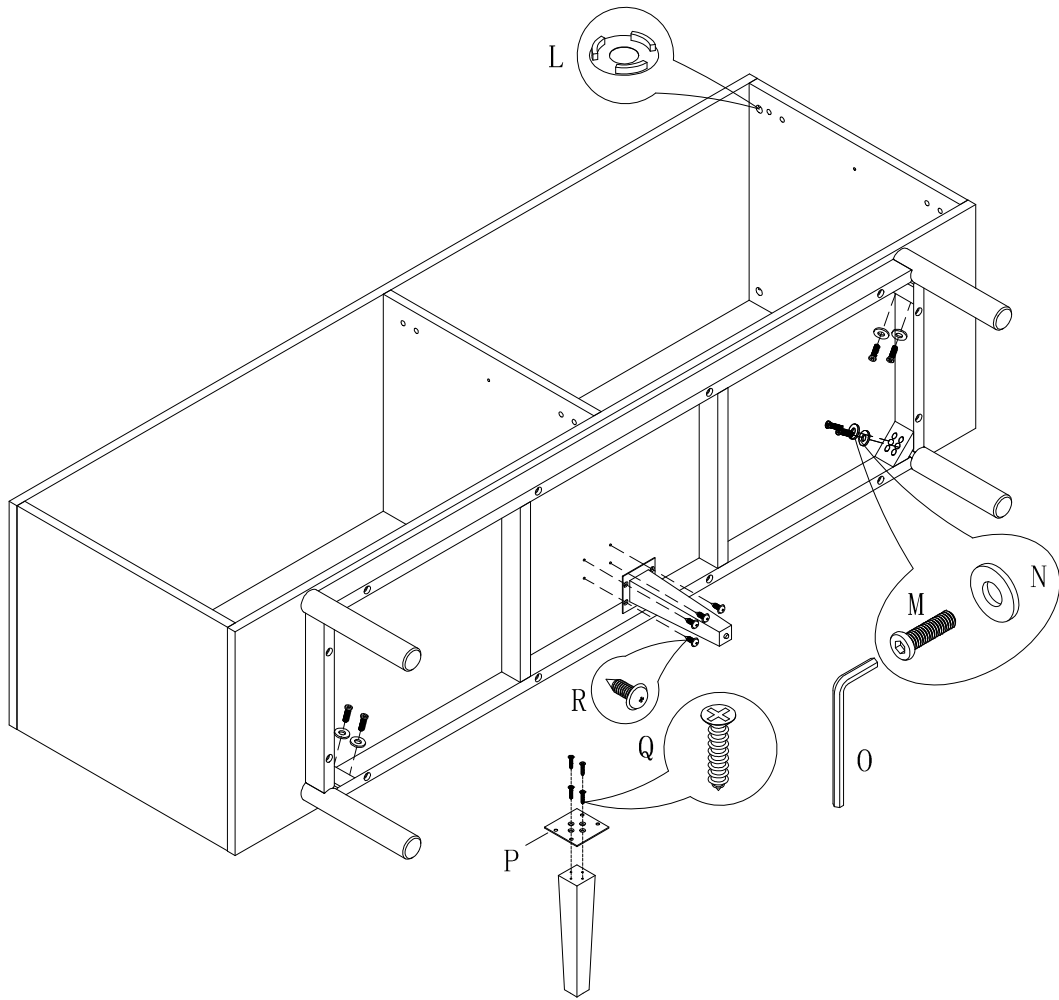




3

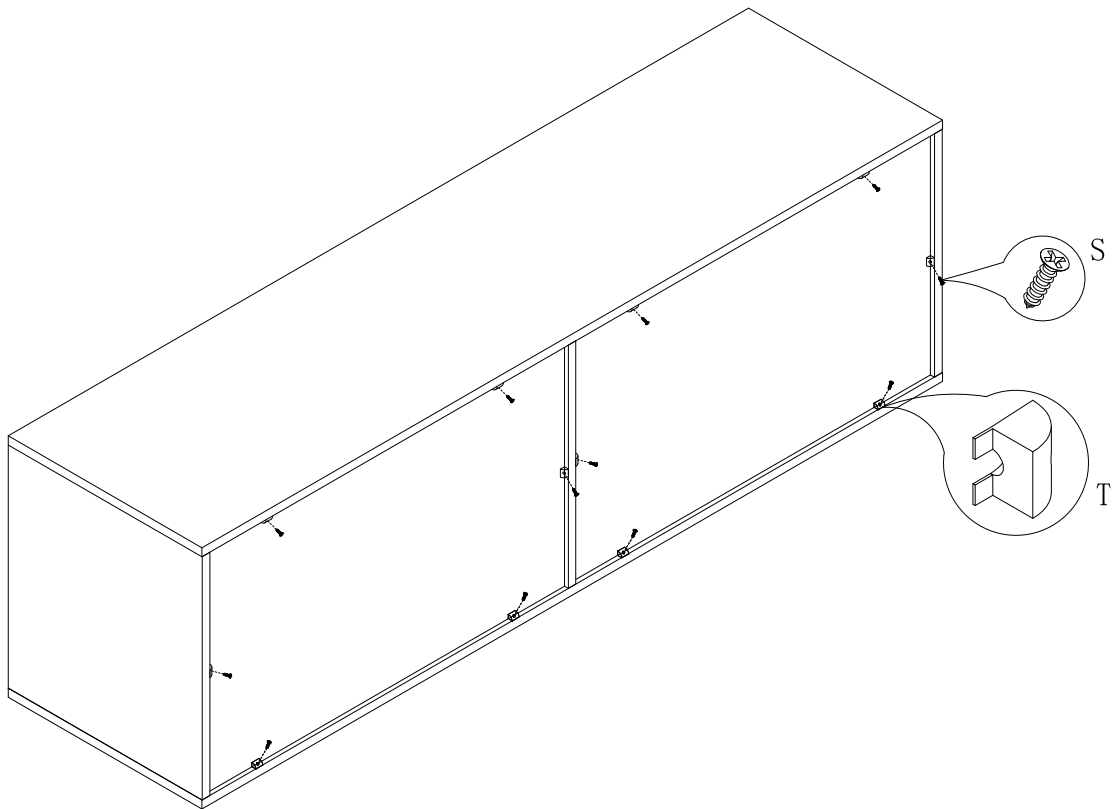
4

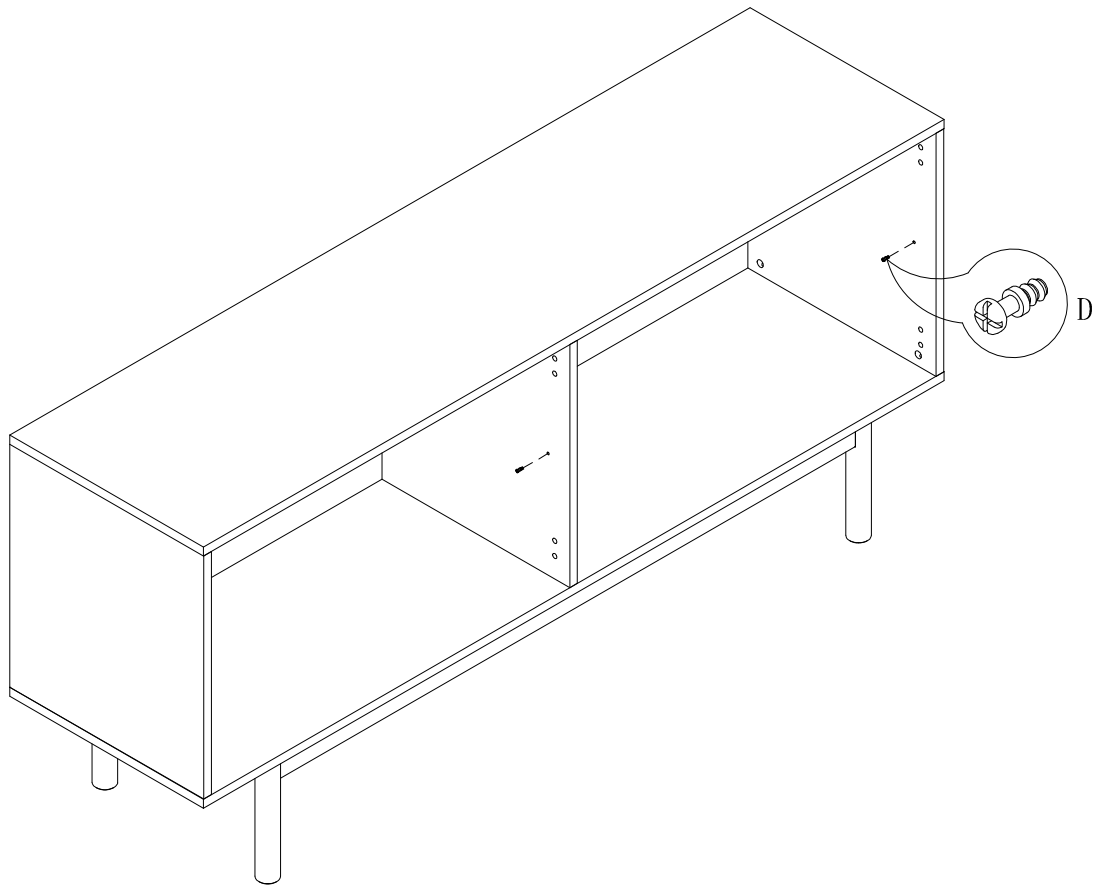




5

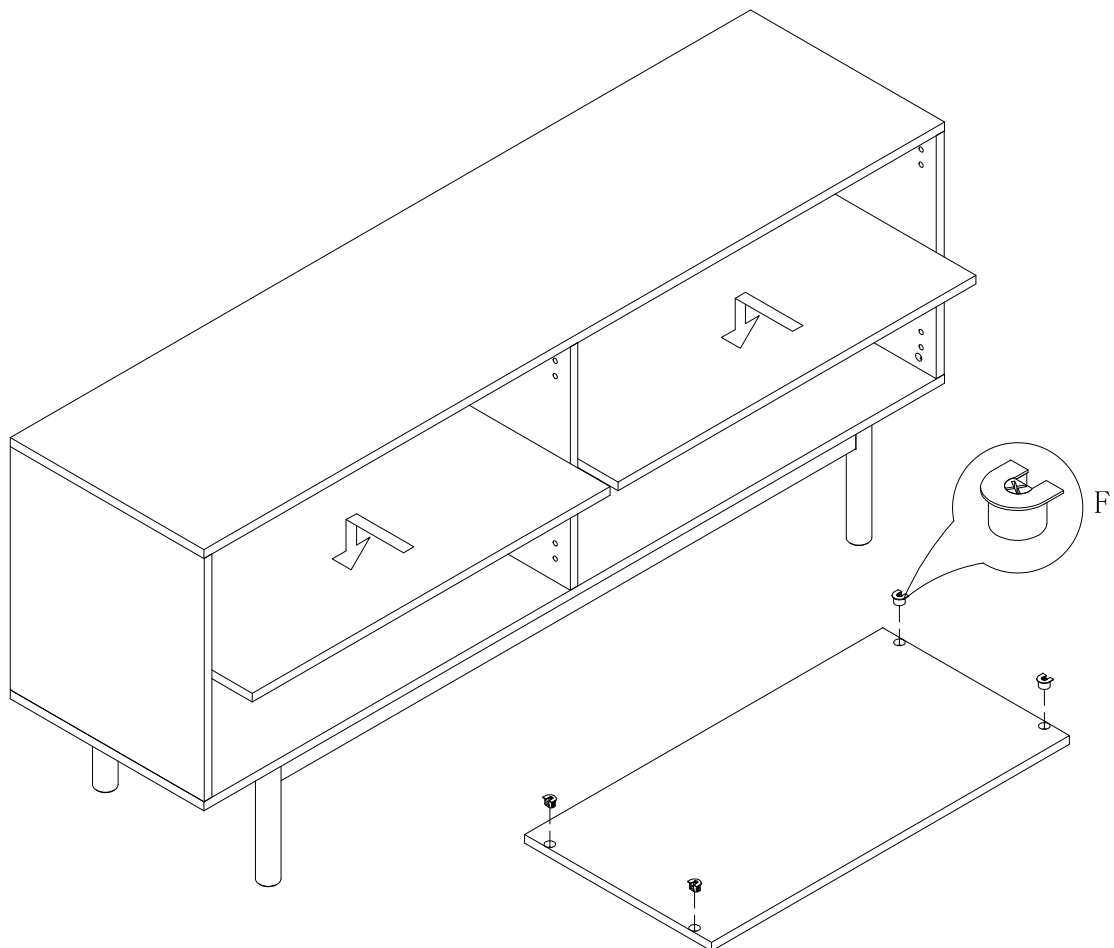
6

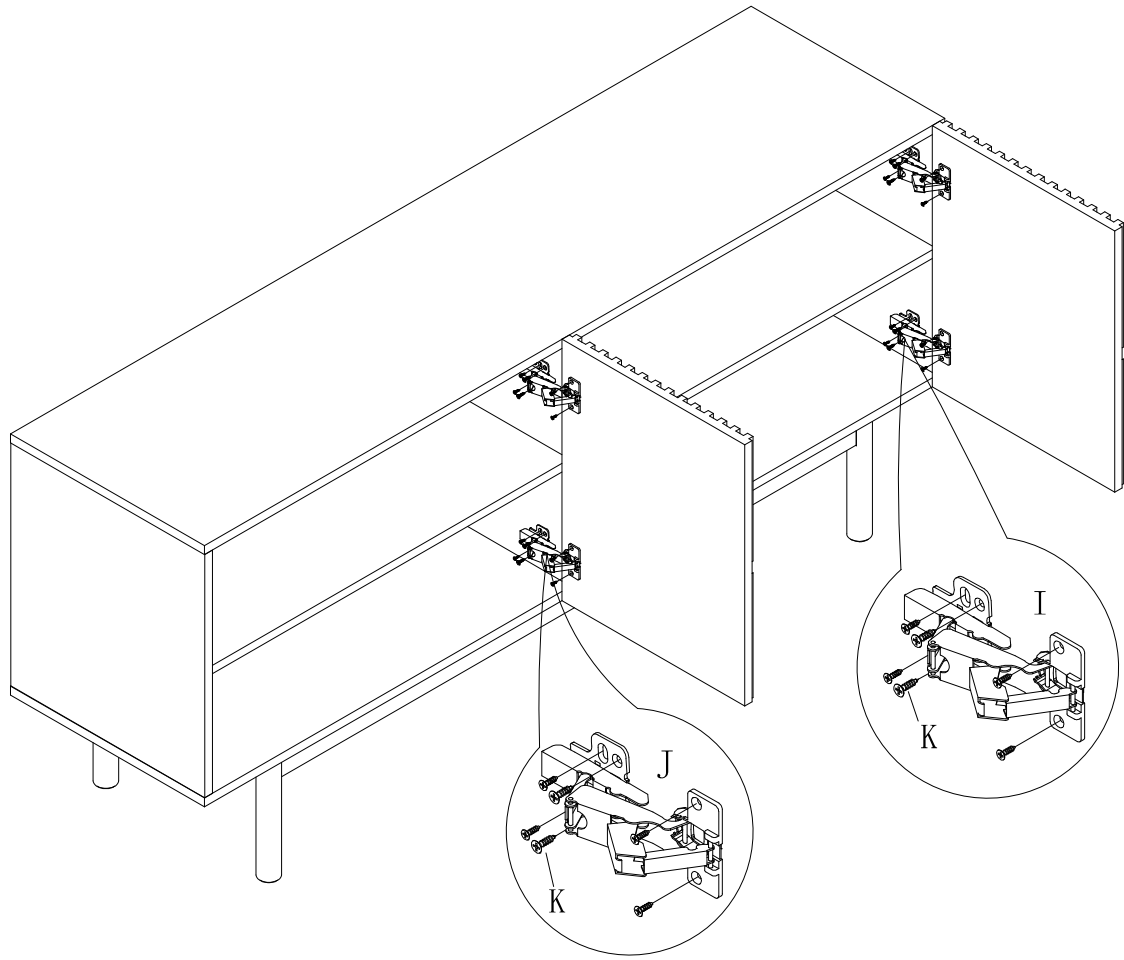




7

8





9

10

